

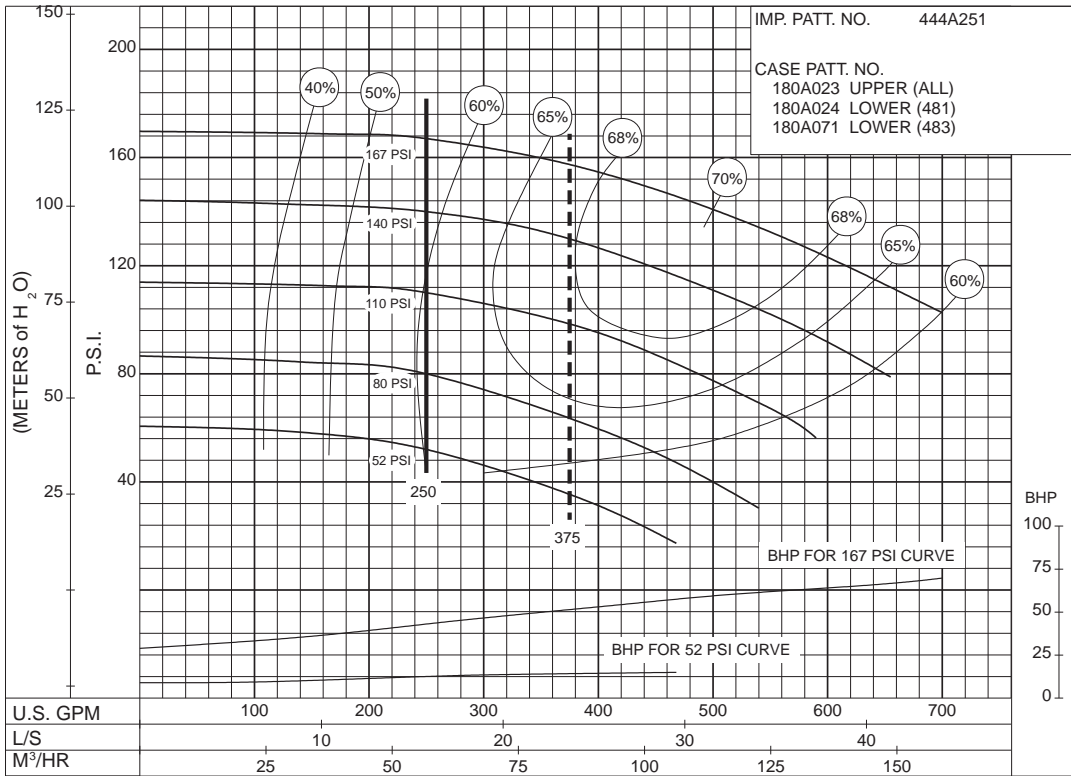
250 G.P.M. 912 SERIES ELECTRIC MOTOR DRIVE

SIZE : 2.5-481-10B / 2.5-483-10B

MODEL: 480

IMPELLER : Enclosed

R. P. M. : 3560

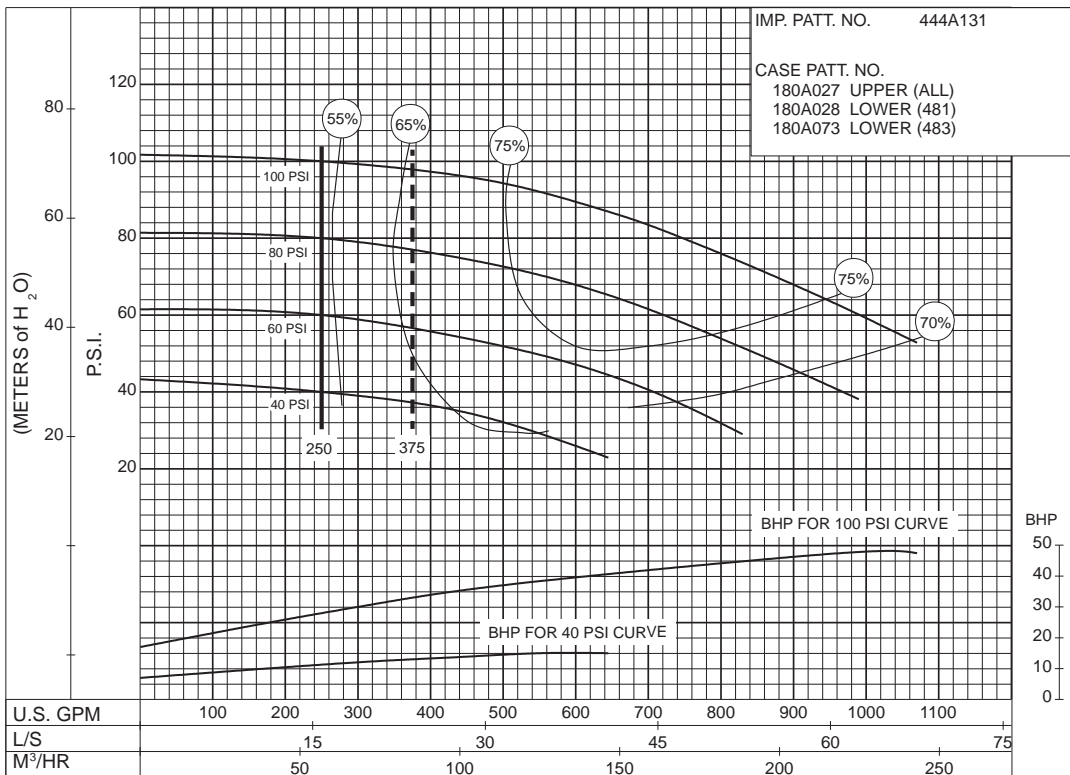


SIZE : 3-481-10 / 3-483-10

MODEL: 480

IMPELLER : Enclosed

R. P. M. : 3560



SIZE : 3-492-10A

MODEL: 492

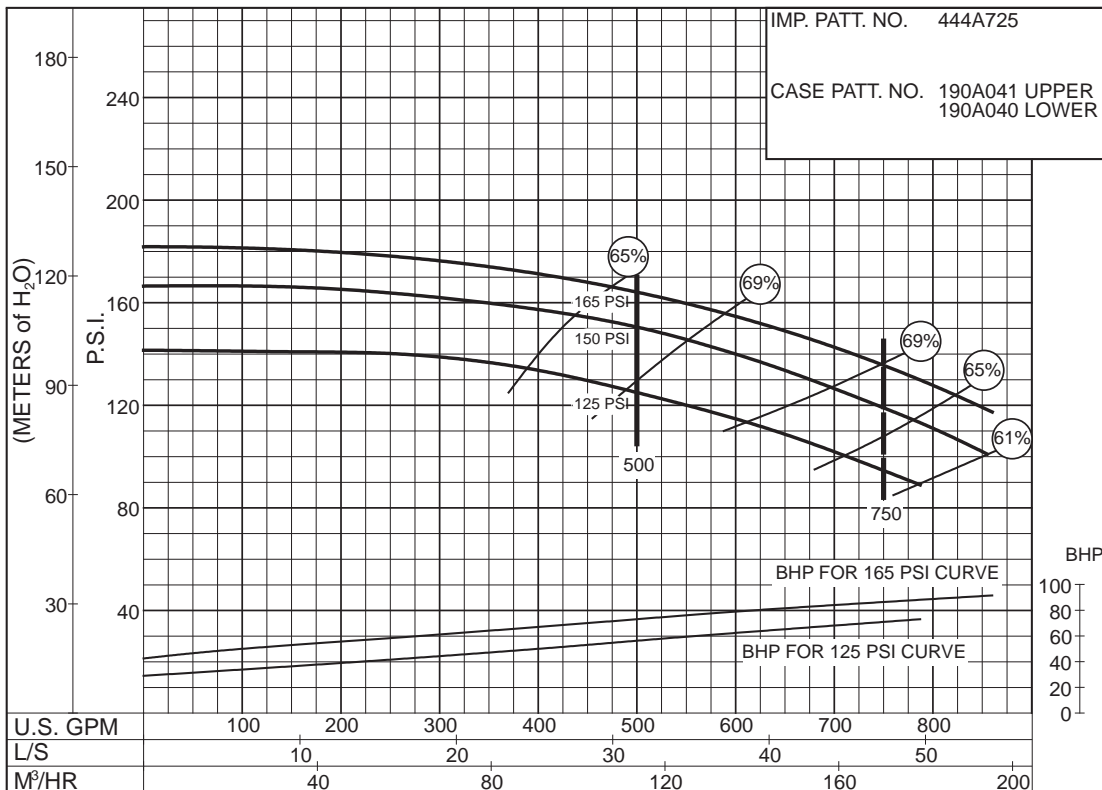
IMPELLER : Enclosed

R. P. M. : 3535

IMP. PATT. NO. 444A725

CASE PATT. NO. 190A041 UPPER
190A040 LOWER

125
to
165
P.S.I.



PC-168435

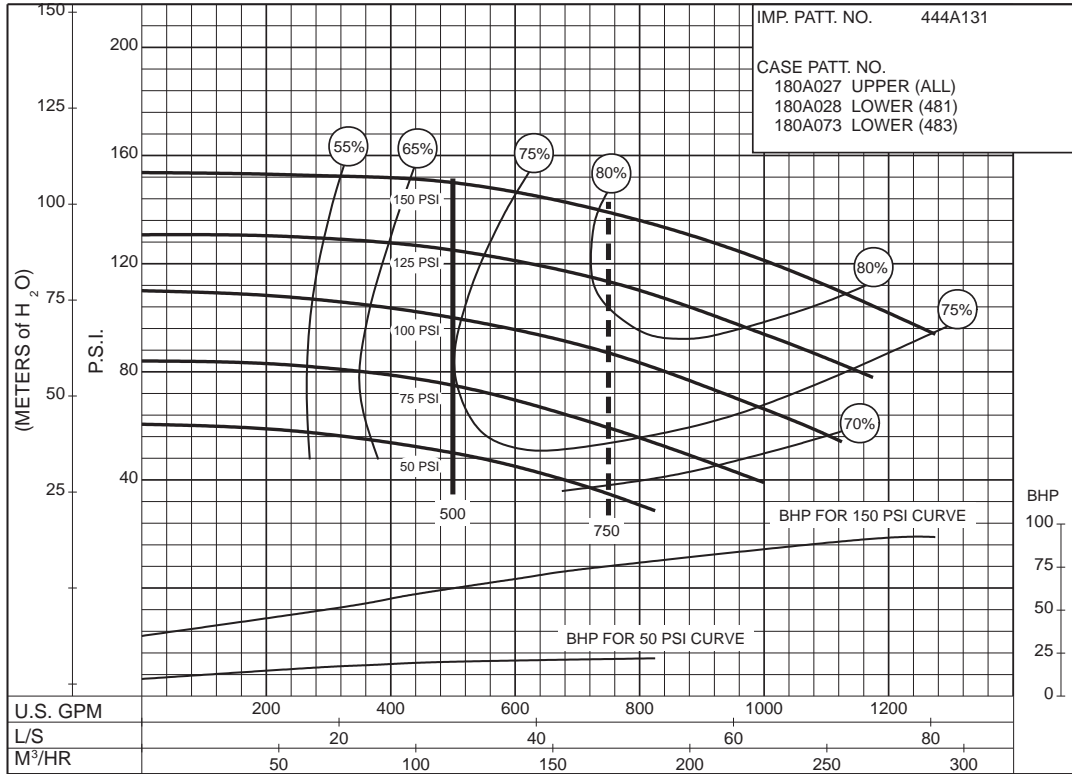
500 G.P.M. 912 SERIES ELECTRIC MOTOR DRIVE

SIZE : 3-481-10 / 3-483-10

MODEL: 480

IMPELLER : Enclosed

R. P. M. : 3560



PC-117427

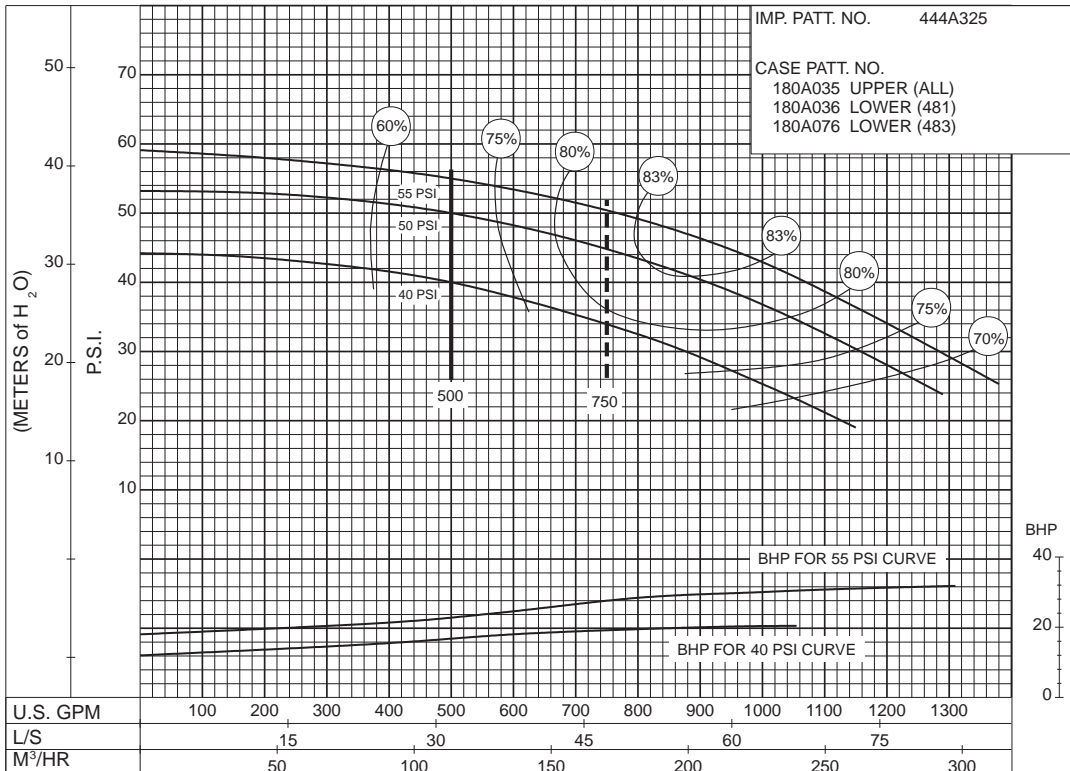
50 to 150 P.S.I.

SIZE : 4-481-11A / 4-483-11A

MODEL: 480

IMPELLER : Enclosed

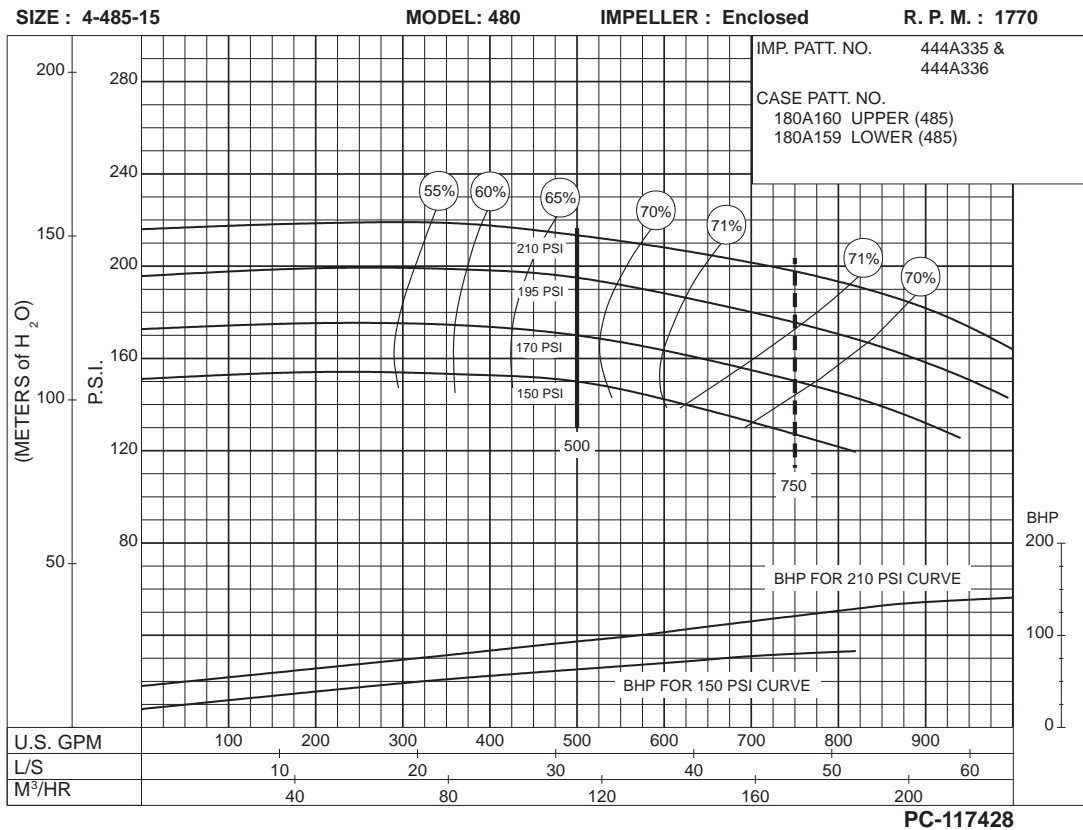
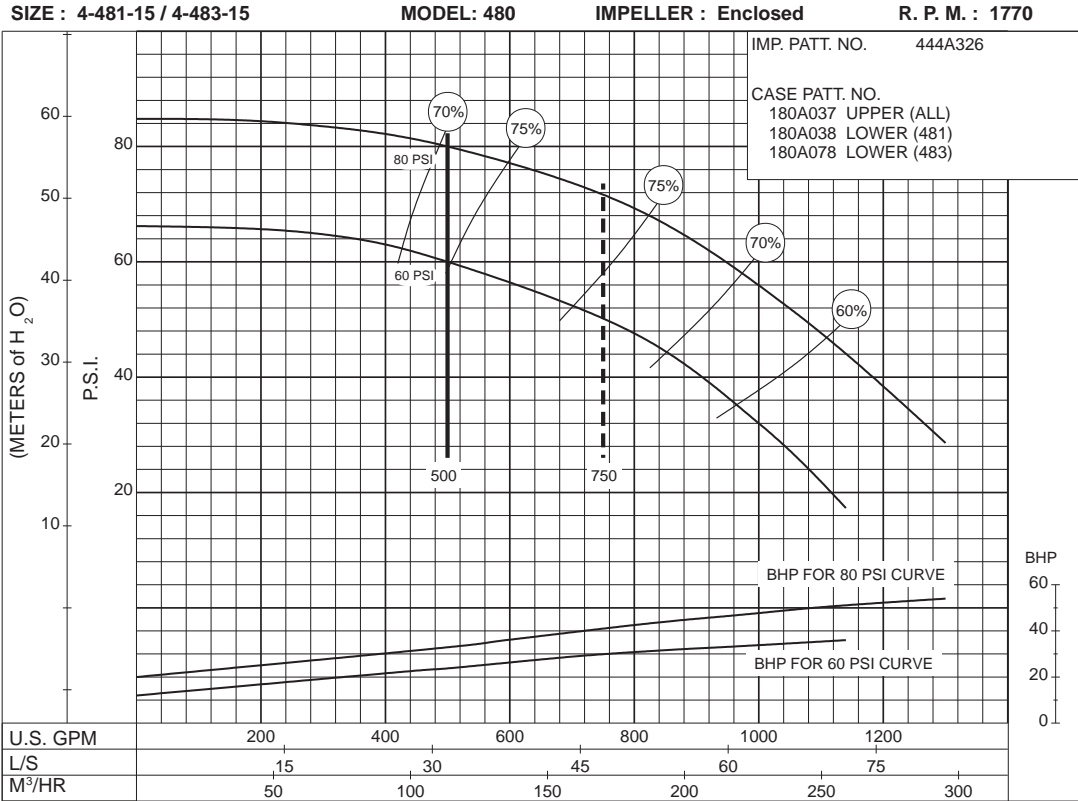
R. P. M. : 1770



PC-117425

40 to 55 P.S.I.

500 G.P.M. 912 SERIES
 ELECTRIC MOTOR DRIVE



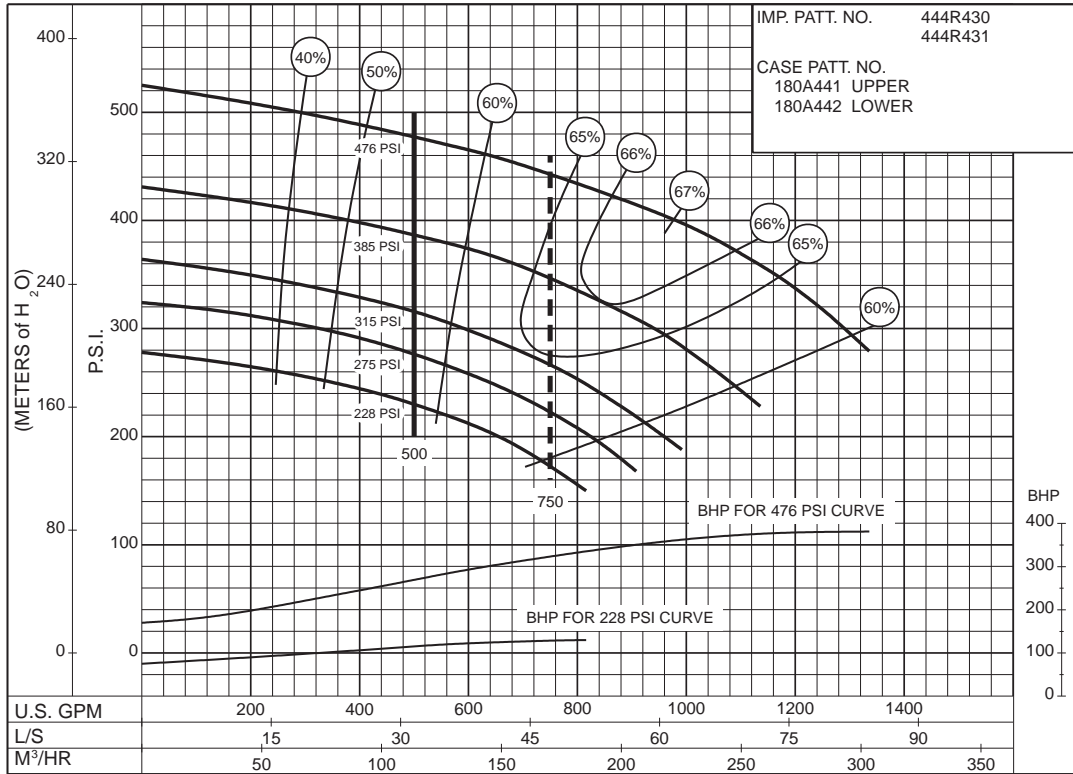
500 G.P.M. 912 SERIES ELECTRIC MOTOR DRIVE

SIZE : 5-485-12

MODEL: 480

IMPELLER : Enclosed

R. P. M. : 3550



228 to 476 P.S.I.

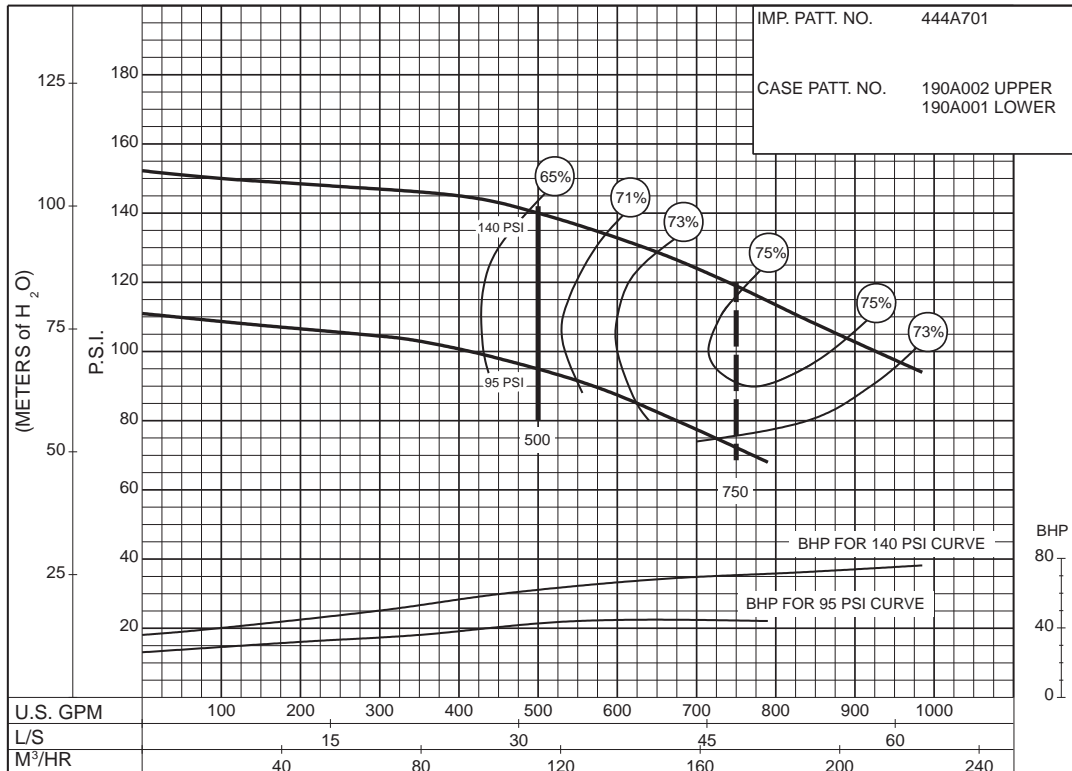
PC-174441

SIZE : 3-491-9C

MODEL: 491

IMPELLER : Enclosed

R. P. M. : 3560



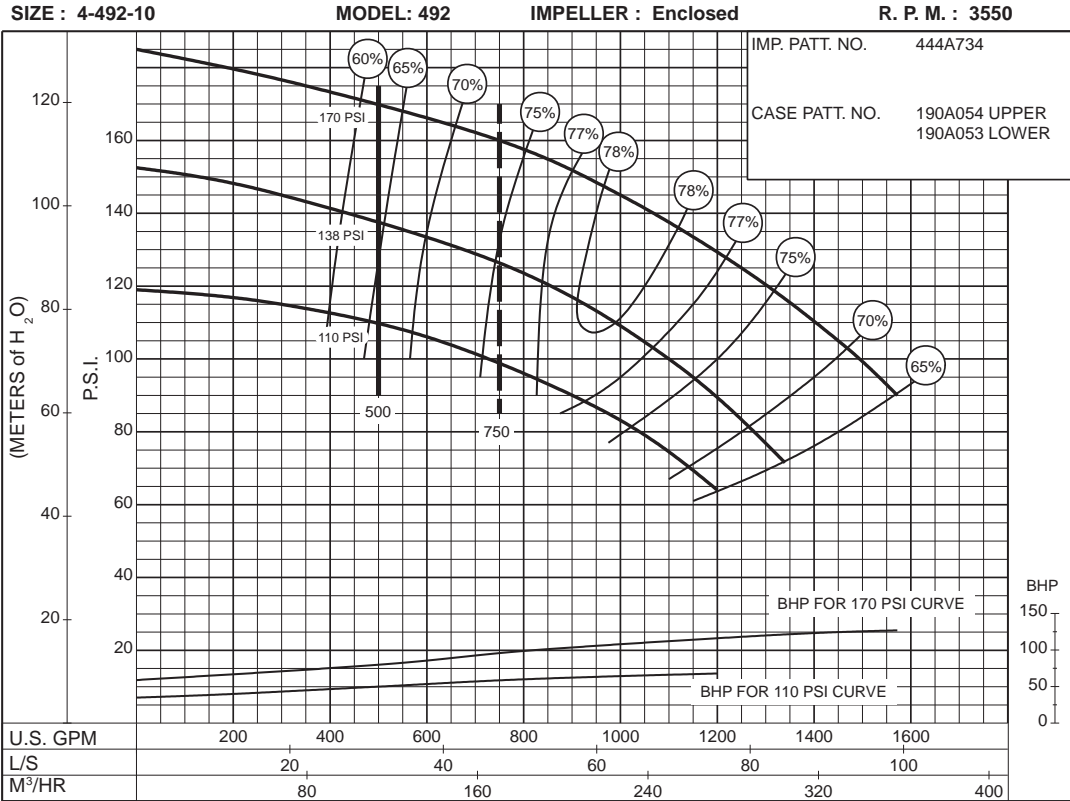
95 to 140 P.S.I.

PC-168434

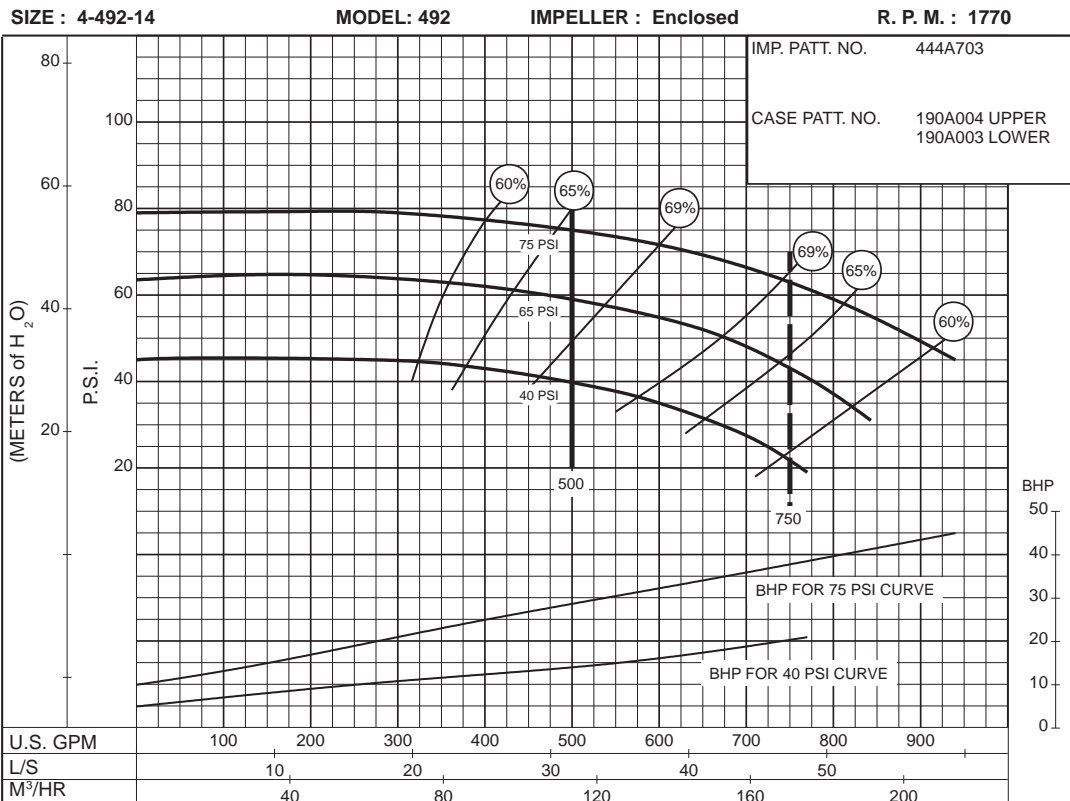


500 G.P.M. 912 SERIES

ELECTRIC MOTOR DRIVE



110
to
170
P.S.I.



40
to
75
P.S.I.

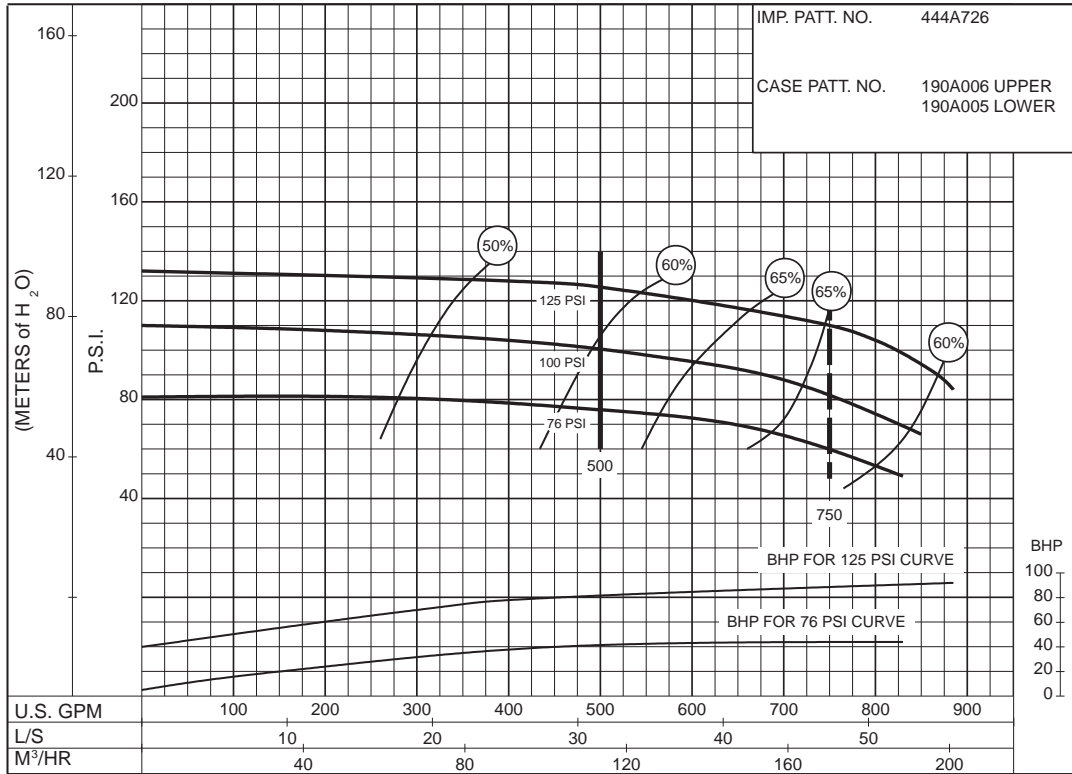
500 G.P.M. 912 SERIES ELECTRIC MOTOR DRIVE

SIZE : 4-492-18

MODEL: 492

IMPELLER : Enclosed

R. P. M. : 1770



PC-168438

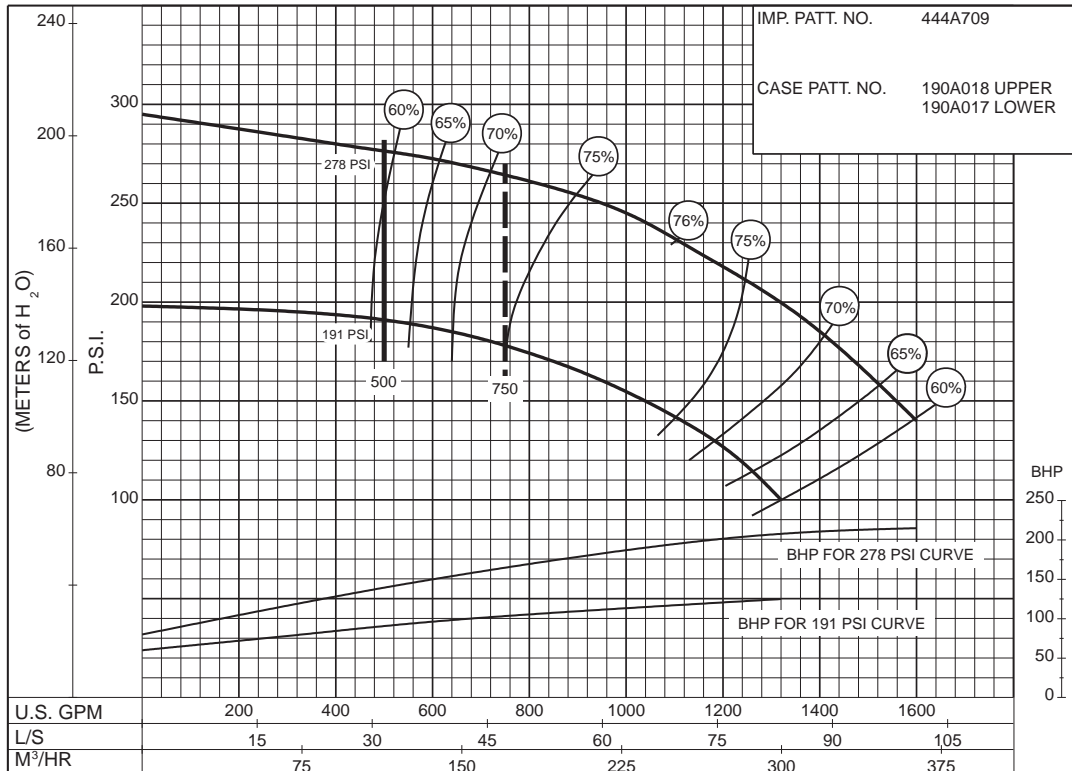
76 to 125 P.S.I.

SIZE : 6-491-12A

MODEL: 491

IMPELLER : Enclosed

R. P. M. : 3565



PC-168439

191 to 278 P.S.I.



AURORA®

750 G.P.M. 912 SERIES

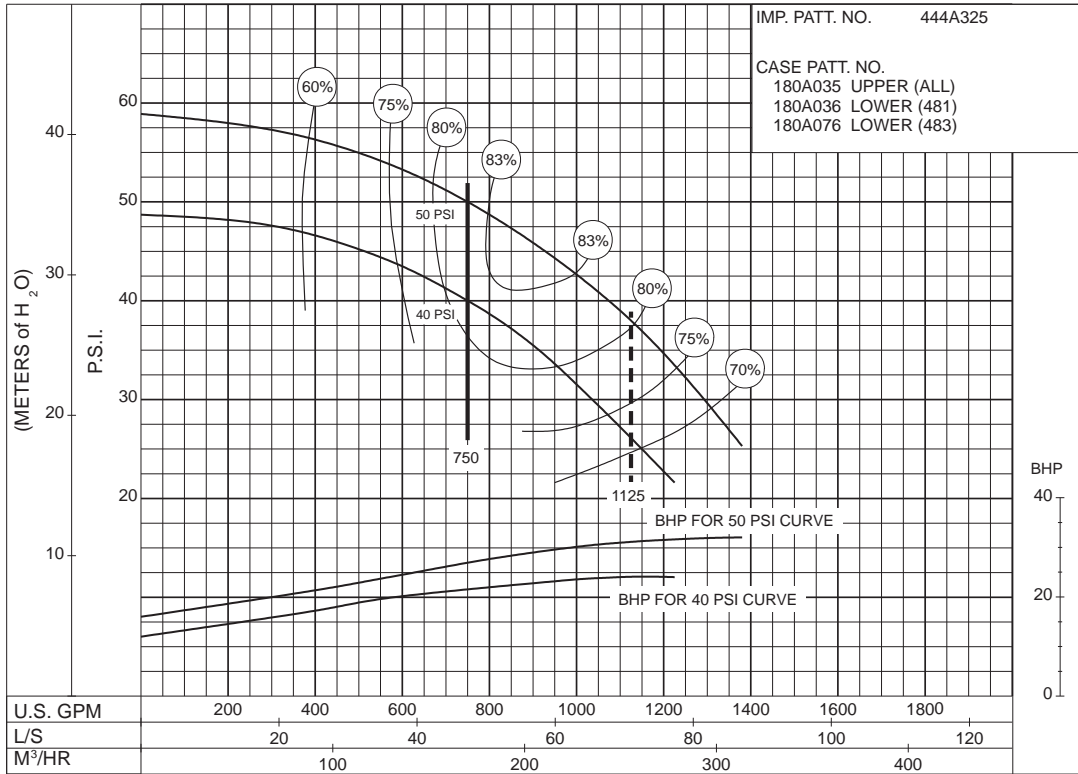
ELECTRIC MOTOR DRIVE

SIZE : 4-481-11A / 4-483-11A

MODEL: 480

IMPELLER : Enclosed

R. P. M. : 1770

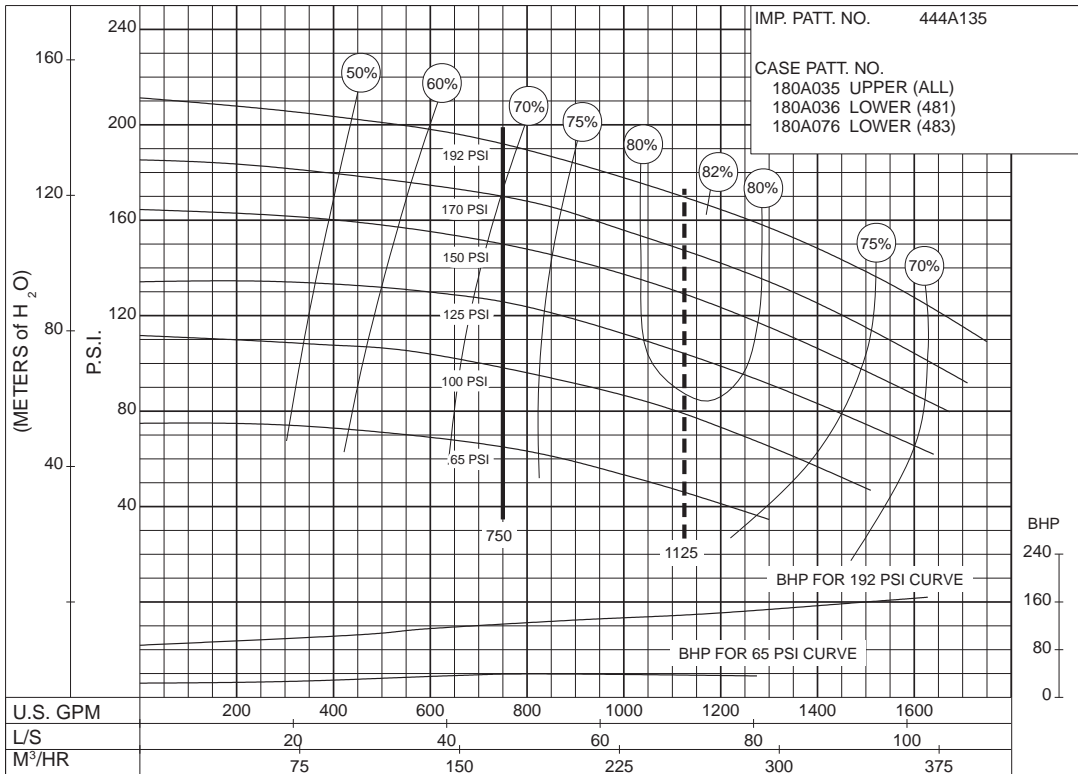


SIZE : 4-481-11C / 4-483-11C

MODEL: 480

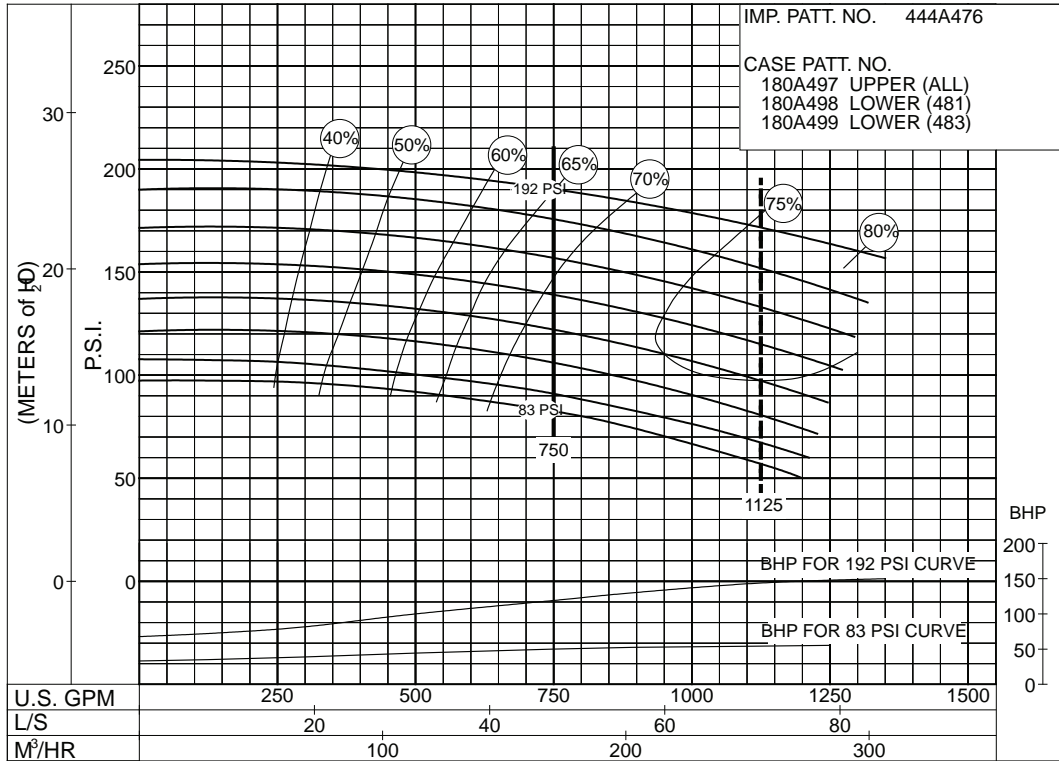
IMPELLER : Enclosed

R. P. M. : 3560



750 G.P.M. 912 SERIES ELECTRIC MOTOR DRIVE

SIZE : 4-481-11D/4-483-11D MODEL: 480 IMPELLER : Enclosed R. P. M. : 3560



83
to
192
P.S.I.

750 G.P.M. 912 SERIES

ELECTRIC MOTOR DRIVE

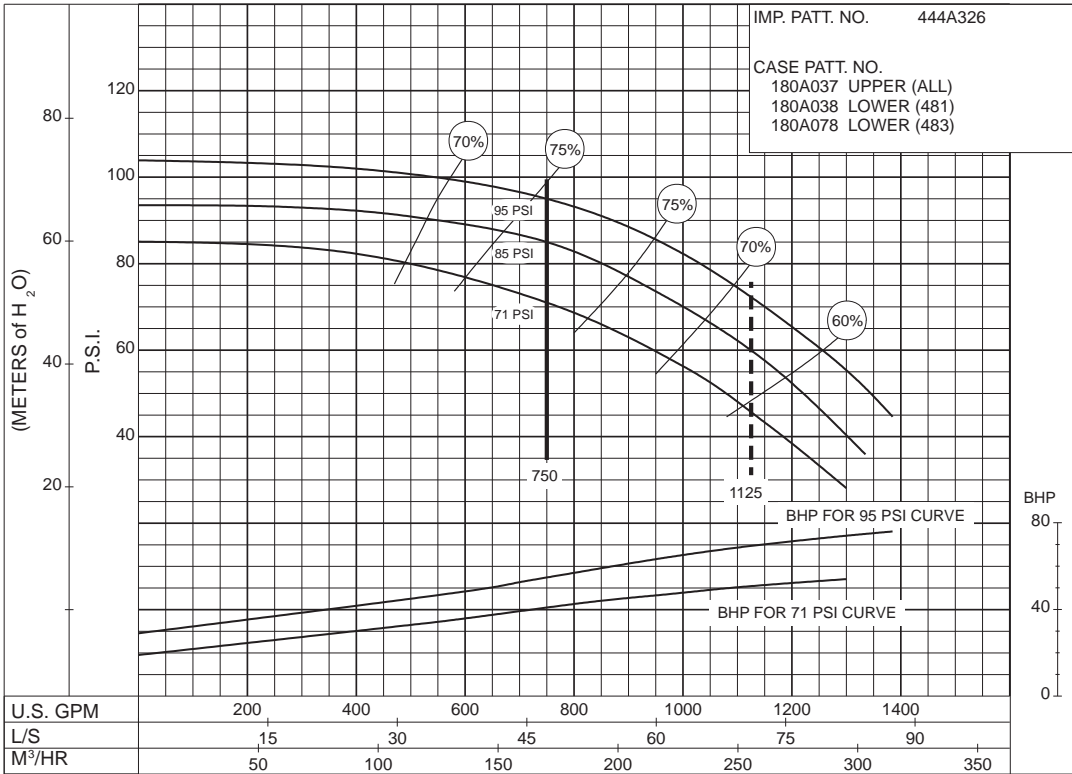
SIZE : 4-481-15 / 4-483-15

MODEL: 480

IMPELLER : Enclosed

R. P. M. : 1770

IMP. PATT. NO. 444A326
 CASE PATT. NO.
 180A037 UPPER (ALL)
 180A038 LOWER (481)
 180A078 LOWER (483)



71 to 95 P.S.I.

PC-117431

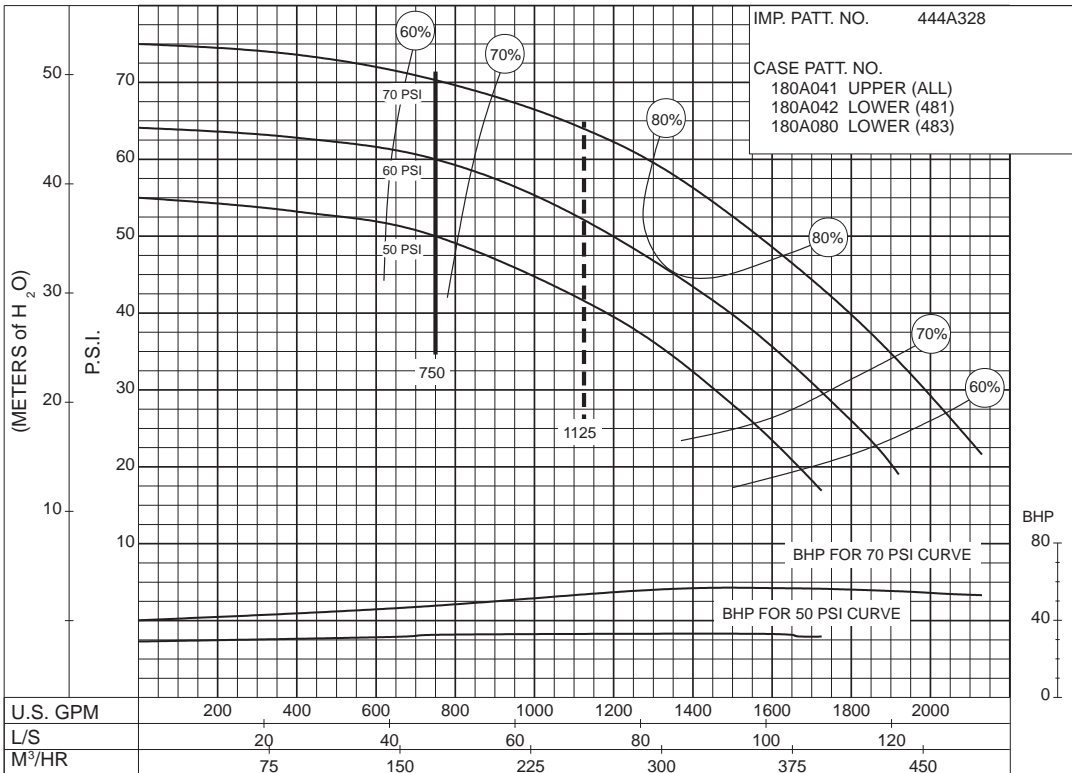
SIZE : 5-481-15 / 5-483-15

MODEL: 480

IMPELLER : Enclosed

R. P. M. : 1770

IMP. PATT. NO. 444A328
 CASE PATT. NO.
 180A041 UPPER (ALL)
 180A042 LOWER (481)
 180A080 LOWER (483)



50 to 70 P.S.I.

PC-117430



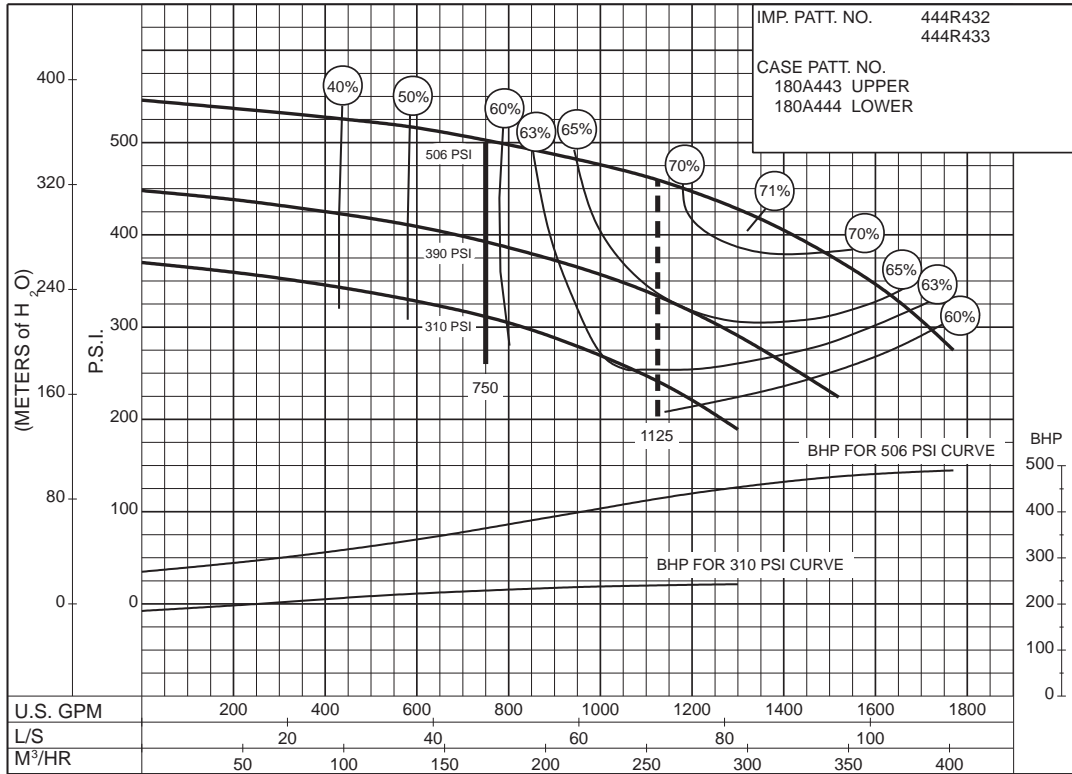
750 G.P.M. 912 SERIES ELECTRIC MOTOR DRIVE

SIZE : 6-485-12

MODEL: 480

IMPELLER : Enclosed

R. P. M. : 3550



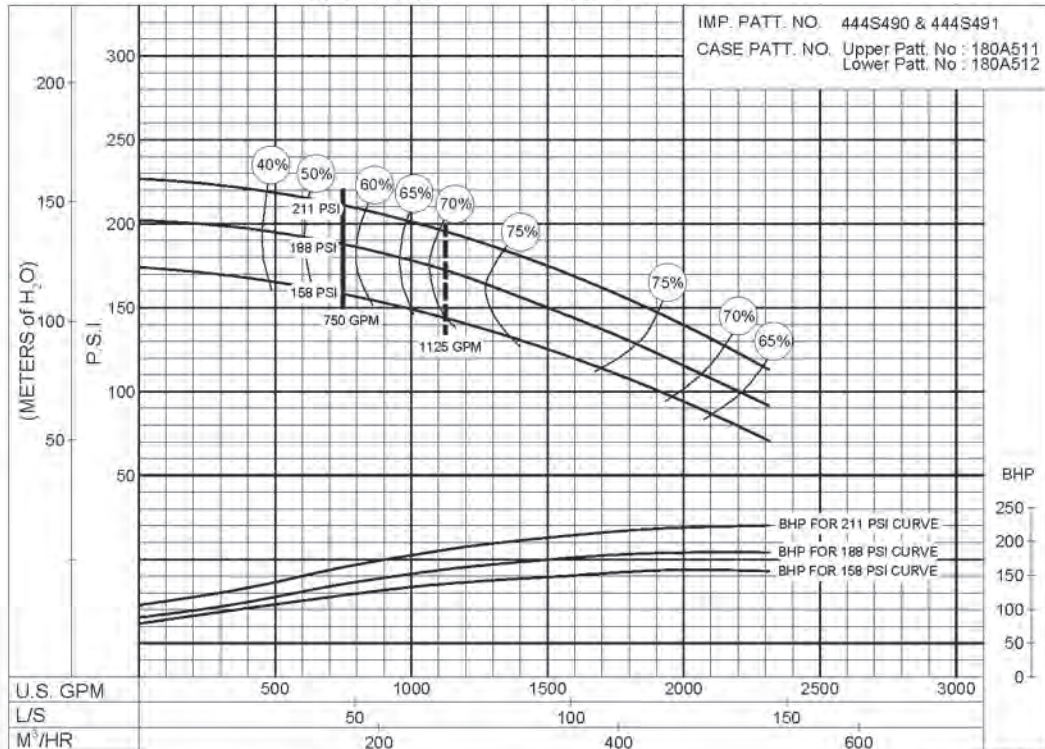
310 to 506 P.S.I.

SIZE : 6-485-16

MODEL: 485

IMPELLER : Enclosed

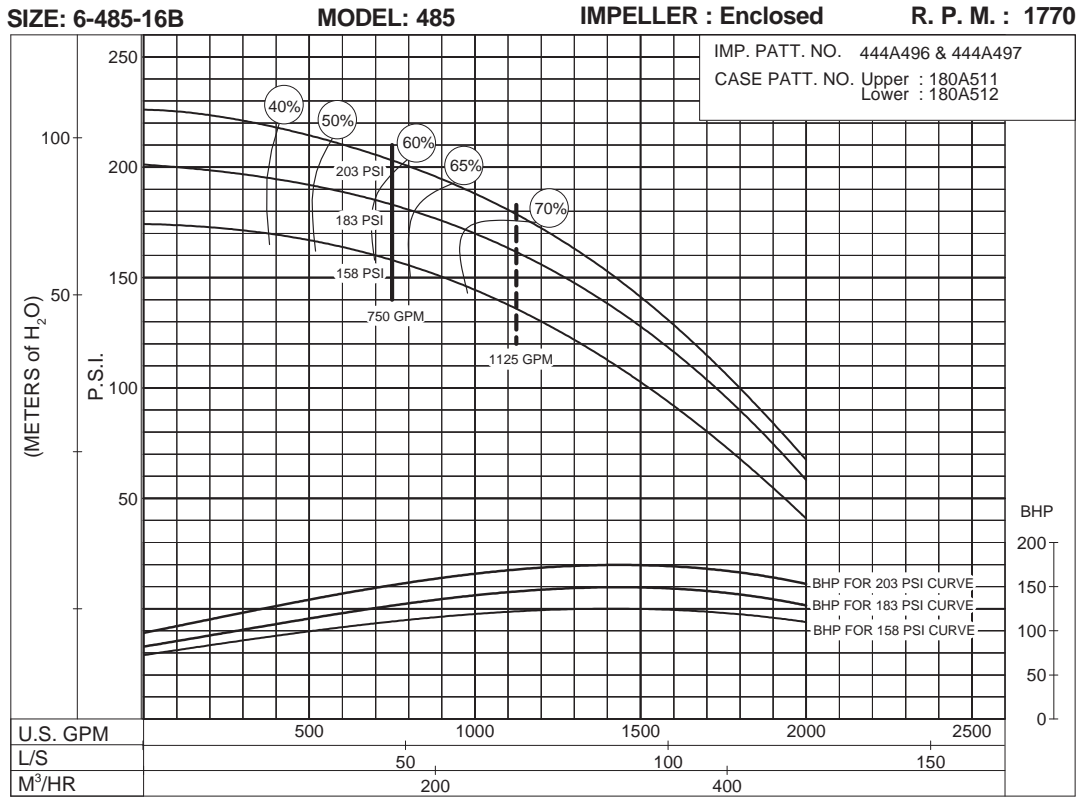
R. P. M. : 1780



158 to 211 P.S.I.

750 G.P.M. 912 SERIES
 ELECTRIC MOTOR DRIVE

Supersedes Section 912 Page 410.2
 Dated July 2001



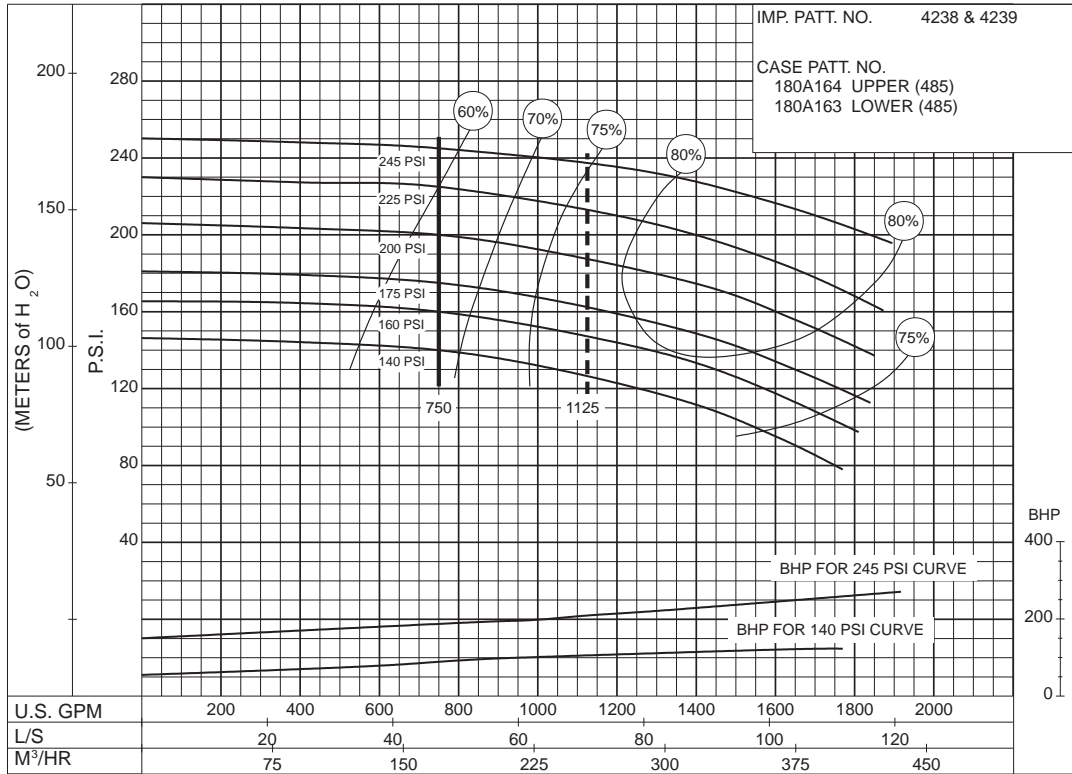
750 G.P.M. 912 SERIES ELECTRIC MOTOR DRIVE

SIZE : 6-485-17A

MODEL: 480

IMPELLER : Enclosed

R. P. M. : 1770



140 to 245 P.S.I.

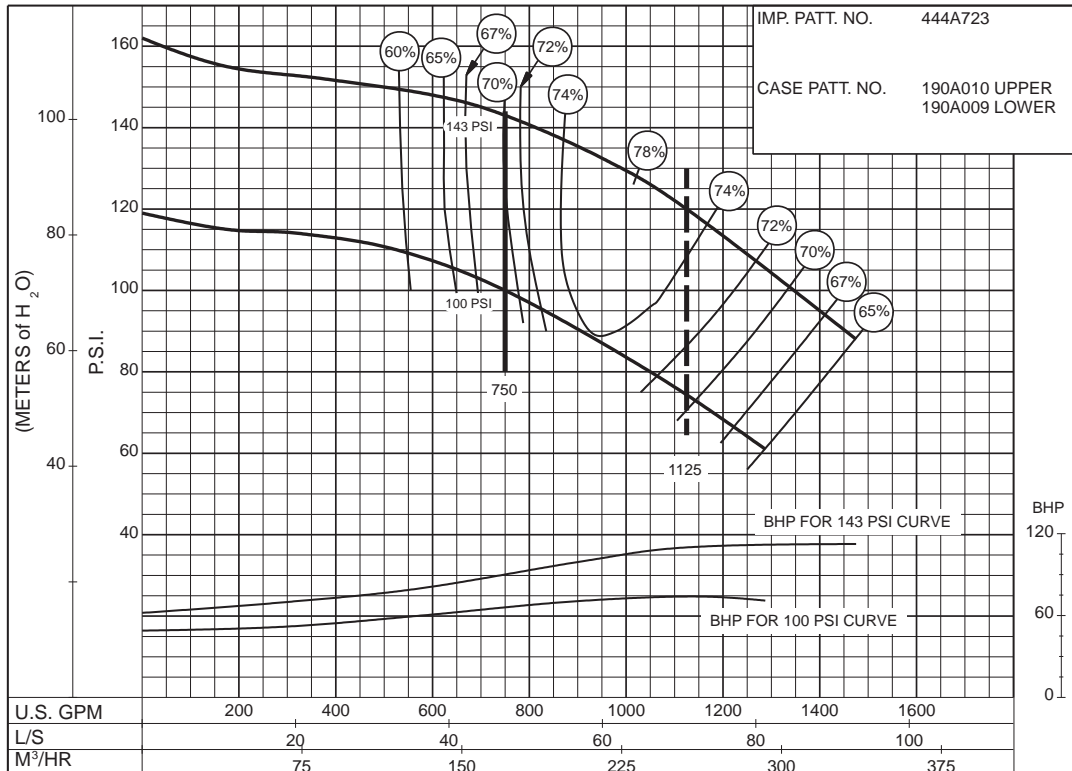
PC-153362

SIZE : 4-491-11A

MODEL: 491

IMPELLER : Enclosed

R. P. M. : 3550



100 to 143 P.S.I.

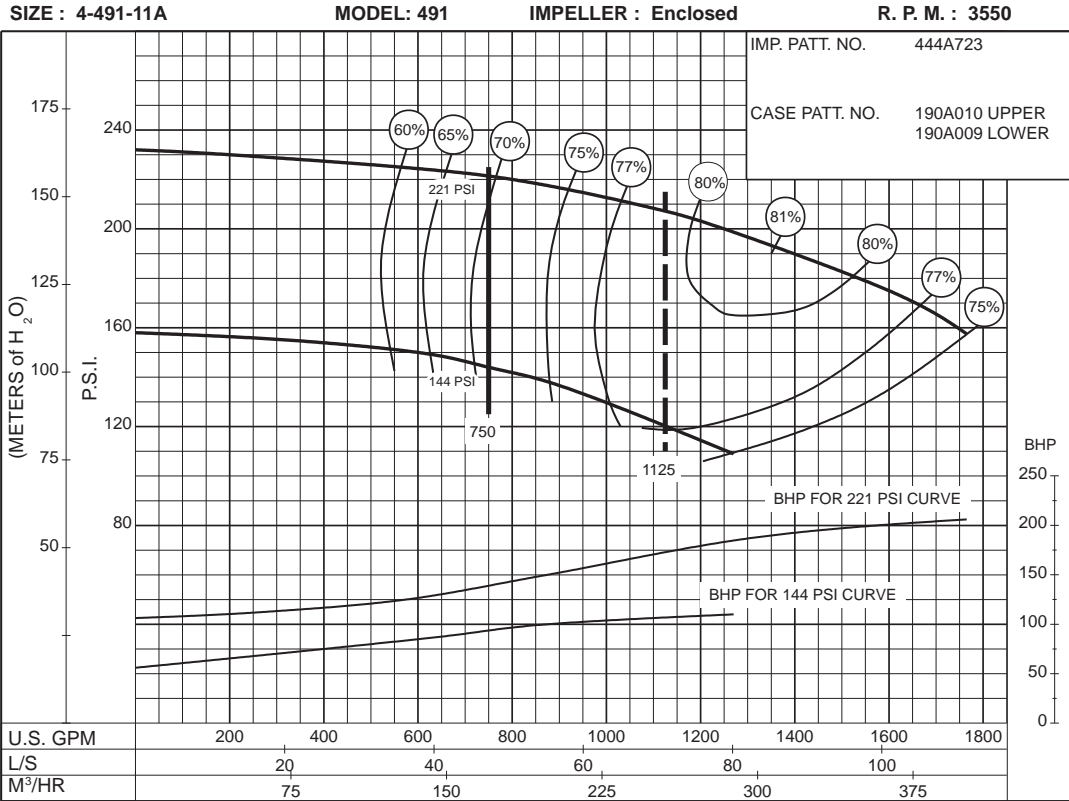
PC-168440



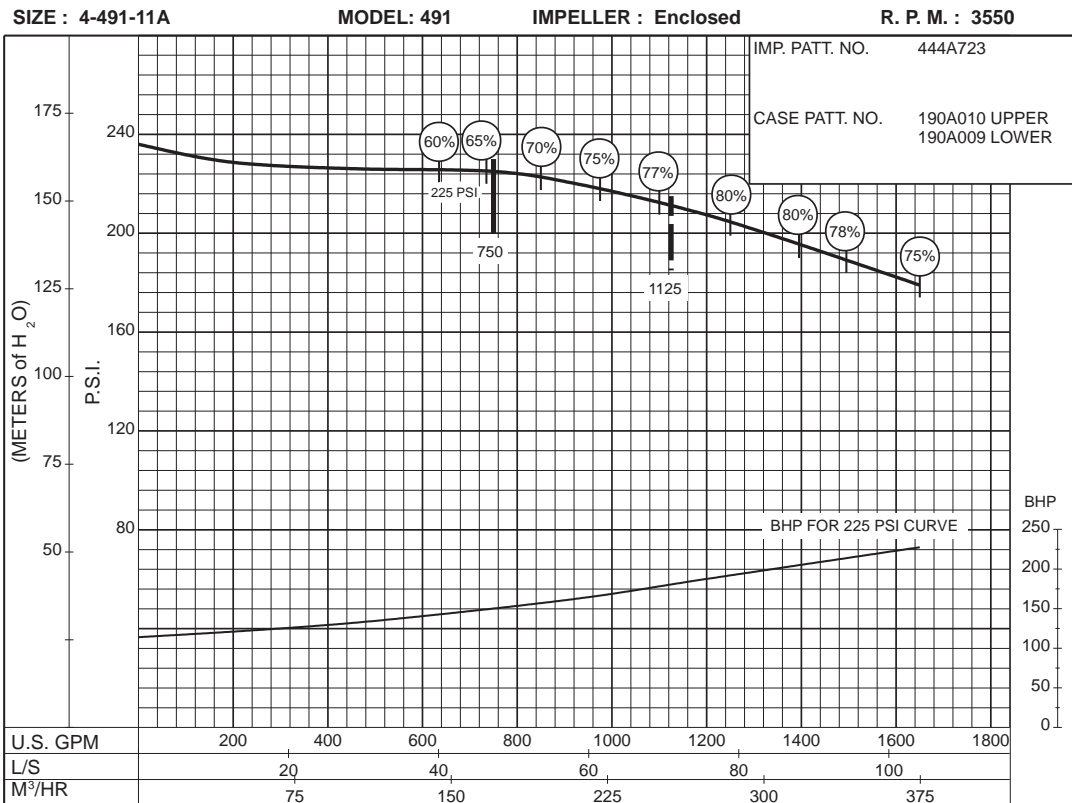
AURORA®

750 G.P.M. 912 SERIES

ELECTRIC MOTOR DRIVE



144
to
221
P.S.I.



225
P.S.I.

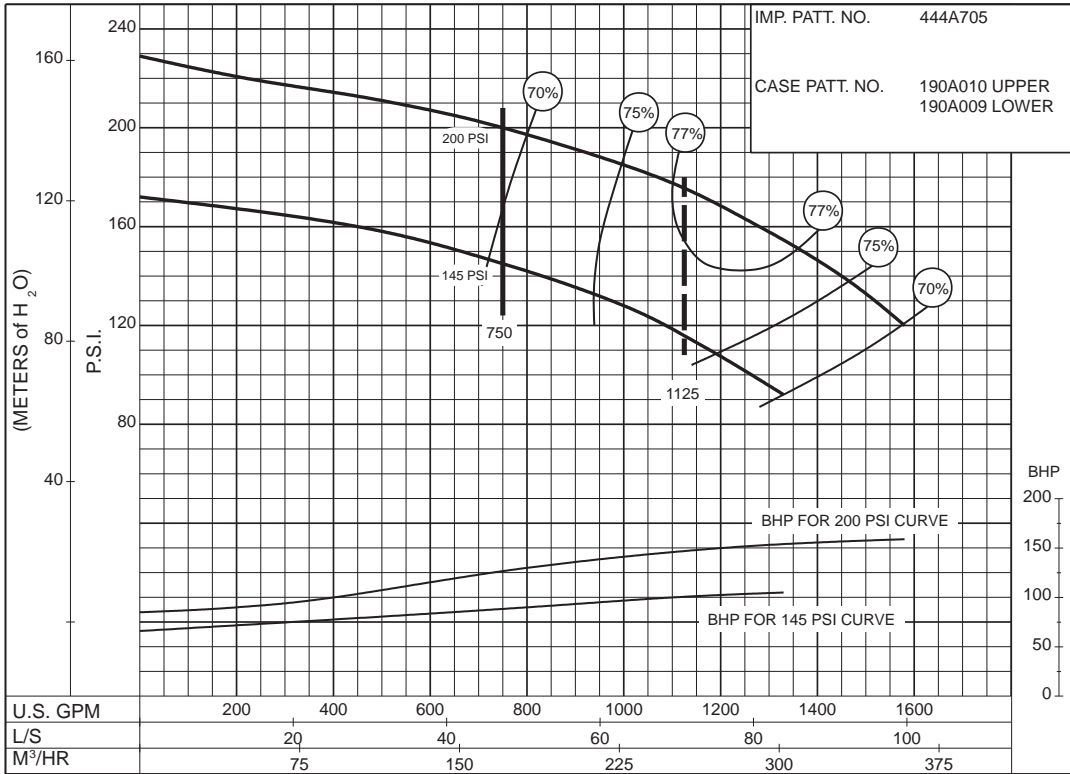
750 G.P.M. 912 SERIES ELECTRIC MOTOR DRIVE

SIZE : 4-491-11C

MODEL: 491

IMPELLER : Enclosed

R. P. M. : 3550



PC-168441

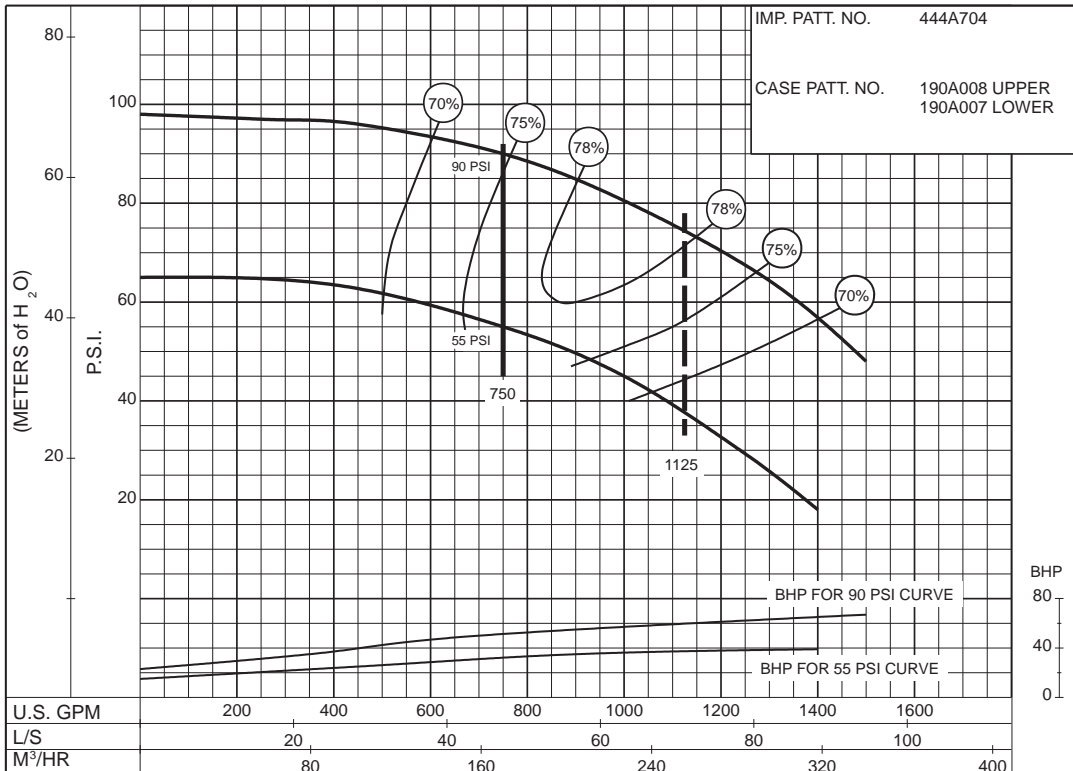
145 to 200 P.S.I.

SIZE : 4-491-14C

MODEL: 491

IMPELLER : Enclosed

R. P. M. : 1770



PC-168443

55 to 90 P.S.I.



AURORA®

750 G.P.M. 912 SERIES

ELECTRIC MOTOR DRIVE

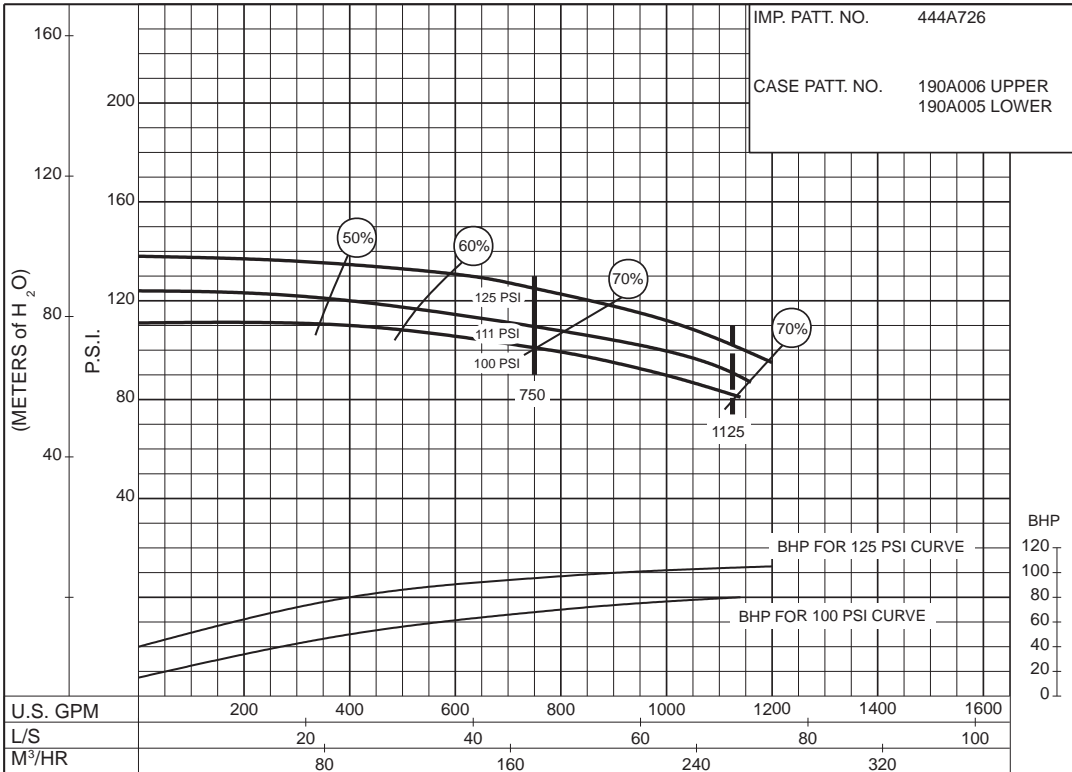
SIZE : 4-492-18

MODEL: 492

IMPELLER : Enclosed

R. P. M. : 1770

IMP. PATT. NO.	444A726
CASE PATT. NO.	190A006 UPPER 190A005 LOWER



PC-168444

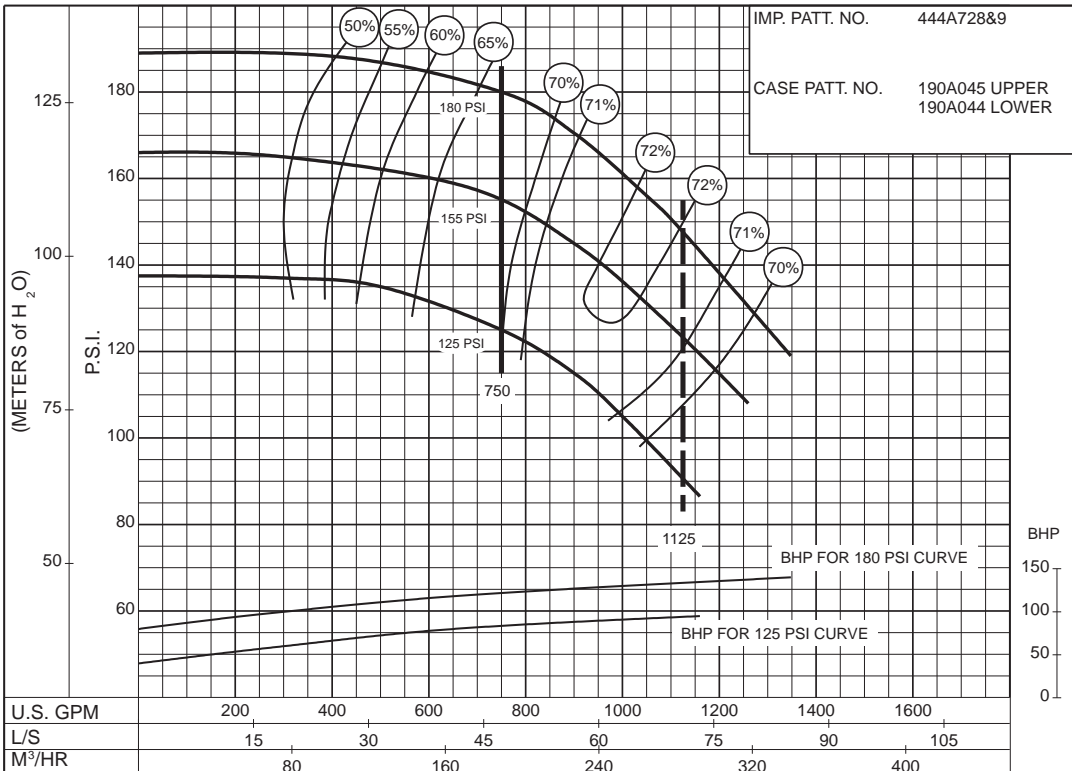
SIZE : 5-495-15

MODEL: 495

IMPELLER : Enclosed

R. P. M. : 1770

IMP. PATT. NO.	444A728&9
CASE PATT. NO.	190A045 UPPER 190A044 LOWER



PC-168445

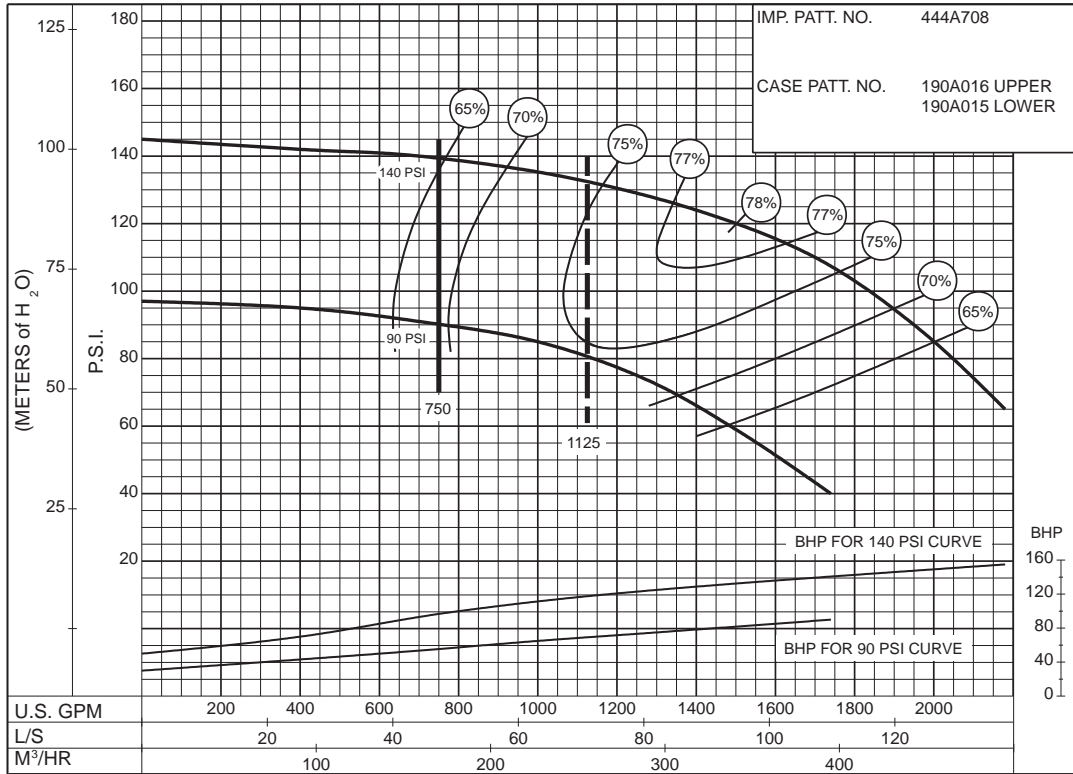
750 G.P.M. 912 SERIES ELECTRIC MOTOR DRIVE

SIZE : 5-491-18A

MODEL: 491

IMPELLER : Enclosed

R. P. M. : 1770



PC-168446

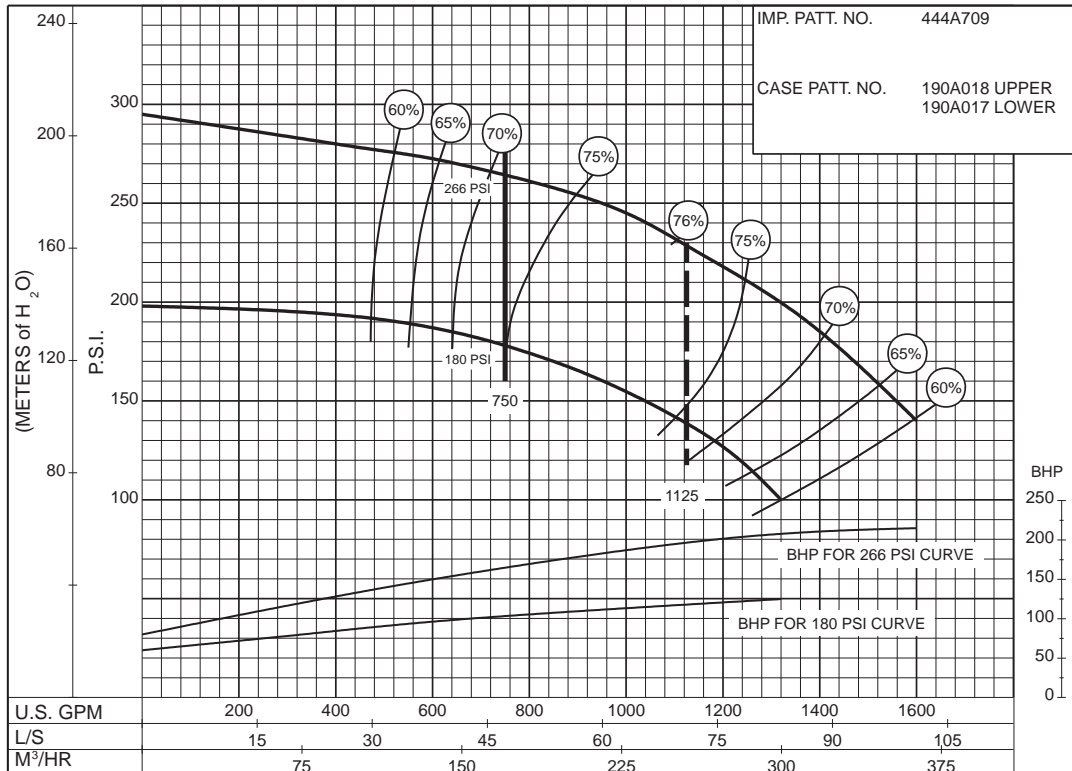
90 to 140 P.S.I.

SIZE : 6-491-12A

MODEL: 491

IMPELLER : Enclosed

R. P. M. : 3565



PC-168447

180 to 266 P.S.I.



AURORA®

Section 912 Page 416

Date April 2000

Supersedes Section 912 Page 416

Dated June 1999

THIS PAGE LEFT INTENTIONALLY BLANK

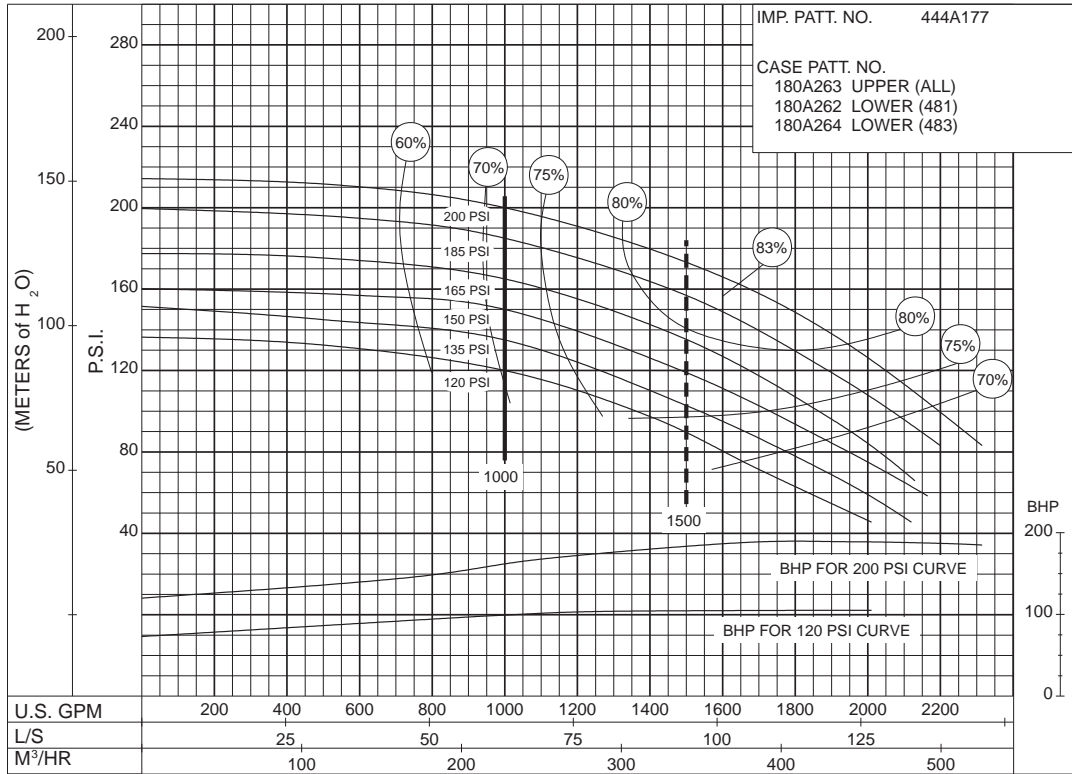
1000 G.P.M. 912 SERIES ELECTRIC MOTOR DRIVE

SIZE : 5-481-11B / 5-483-11B

MODEL: 480

IMPELLER : Enclosed

R. P. M. : 3560



PC-123055

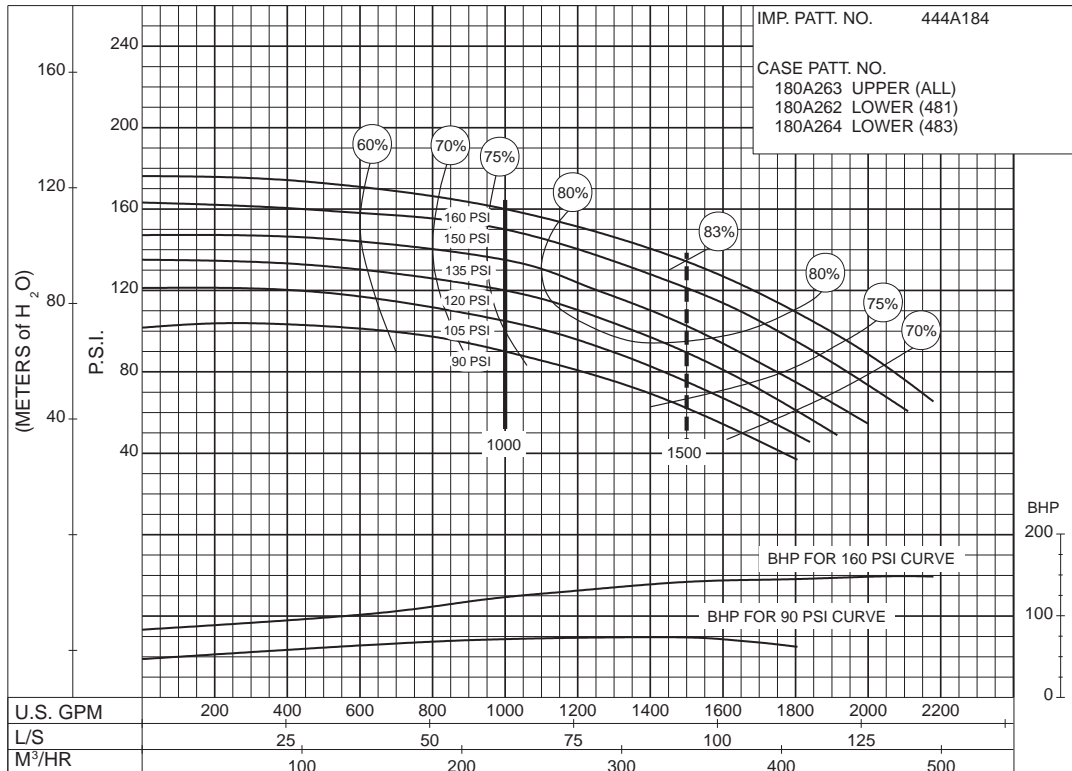
120 to 200 P.S.I.

SIZE : 5-481-11C / 5-483-11C

MODEL: 480

IMPELLER : Enclosed

R. P. M. : 3560



PC-123056

90 to 160 P.S.I.

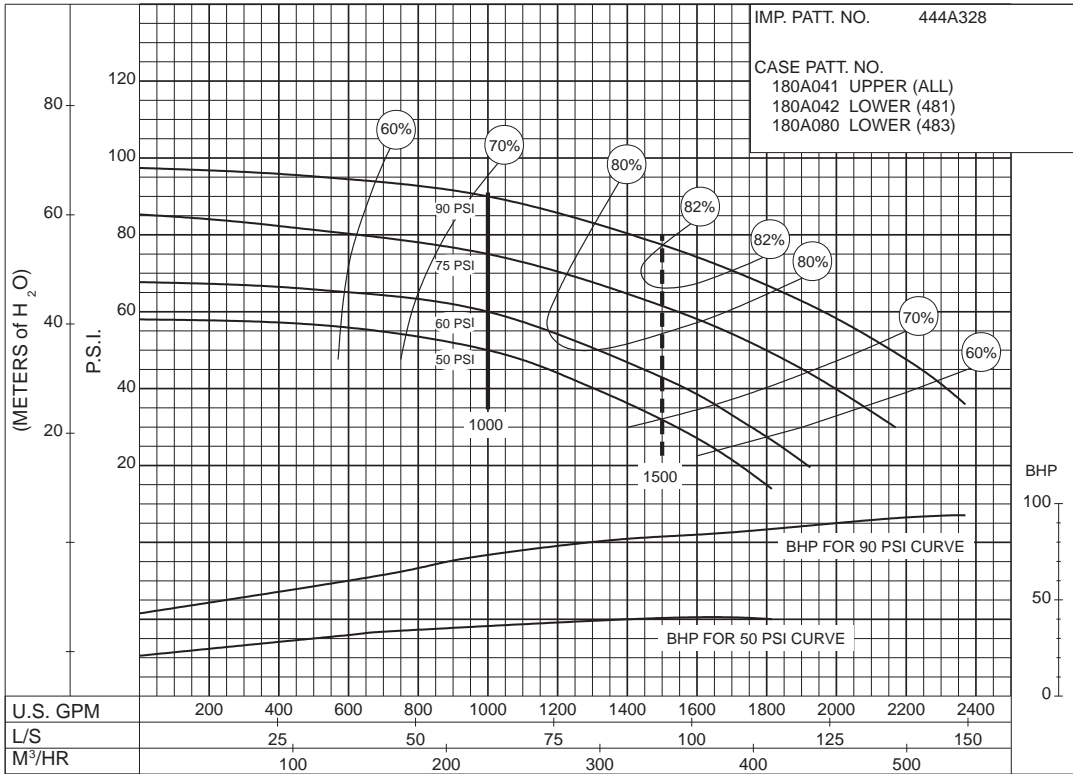


AURORA®

1000 G.P.M. 912 SERIES

ELECTRIC MOTOR DRIVE

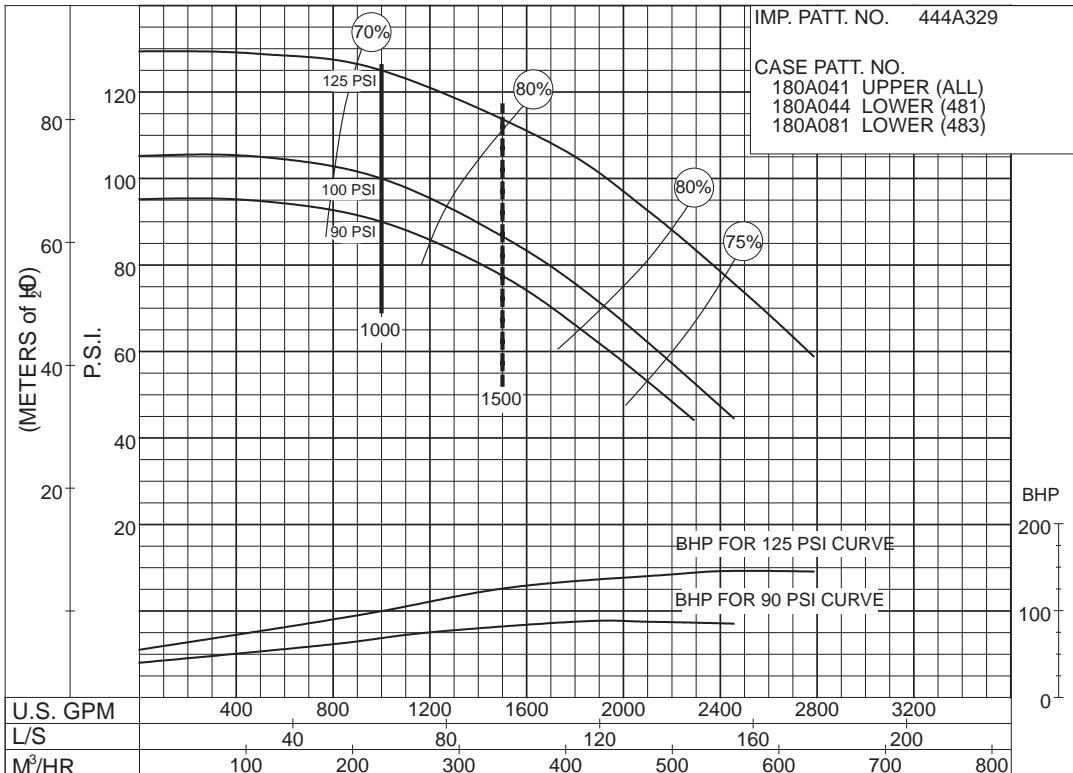
SIZE : 5-481-15 / 5-483-15 MODEL: 480 IMPELLER : Enclosed R. P. M. : 1770



PC-119725

50
to
90
P.S.I.

SIZE : 5-481-17 / 5-483-17 MODEL: 480 IMPELLER : Enclosed R. P. M. : 1770



PC-119726

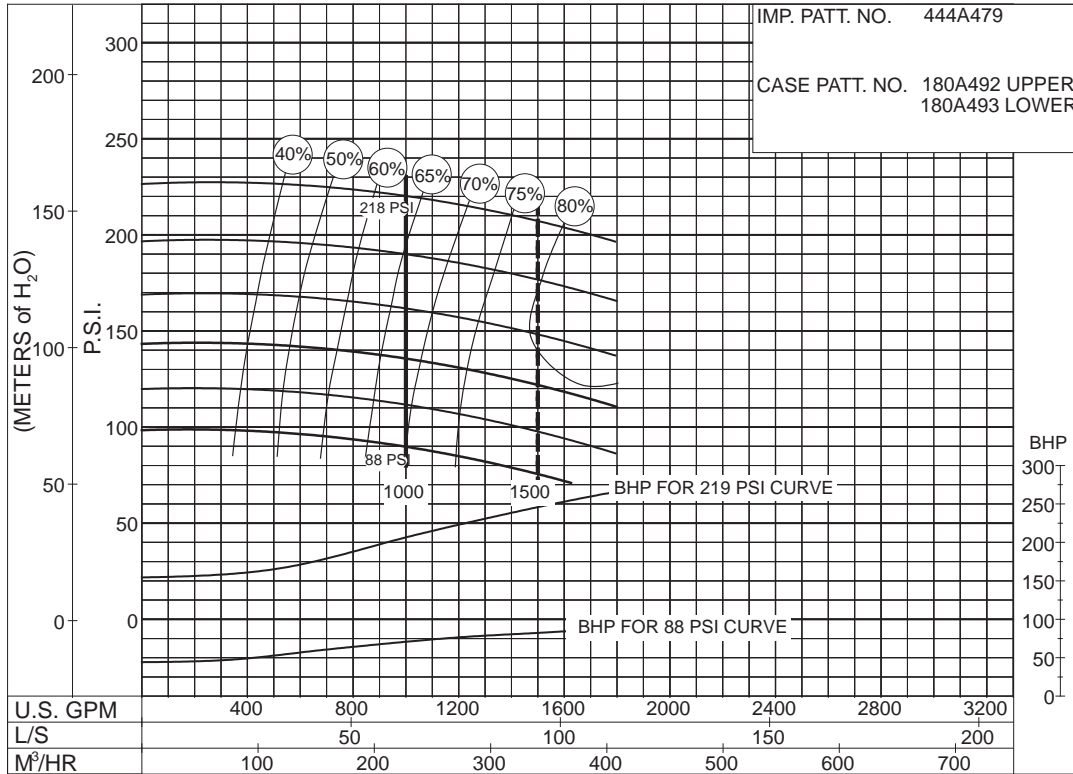
90
to
125
P.S.I.

1000 G.P.M. 912 SERIES
ELECTRIC MOTOR DRIVE

SIZE : 6-481-11HH

MODEL: 480 IMPELLER : Enclosed

R. P. M. : 3560



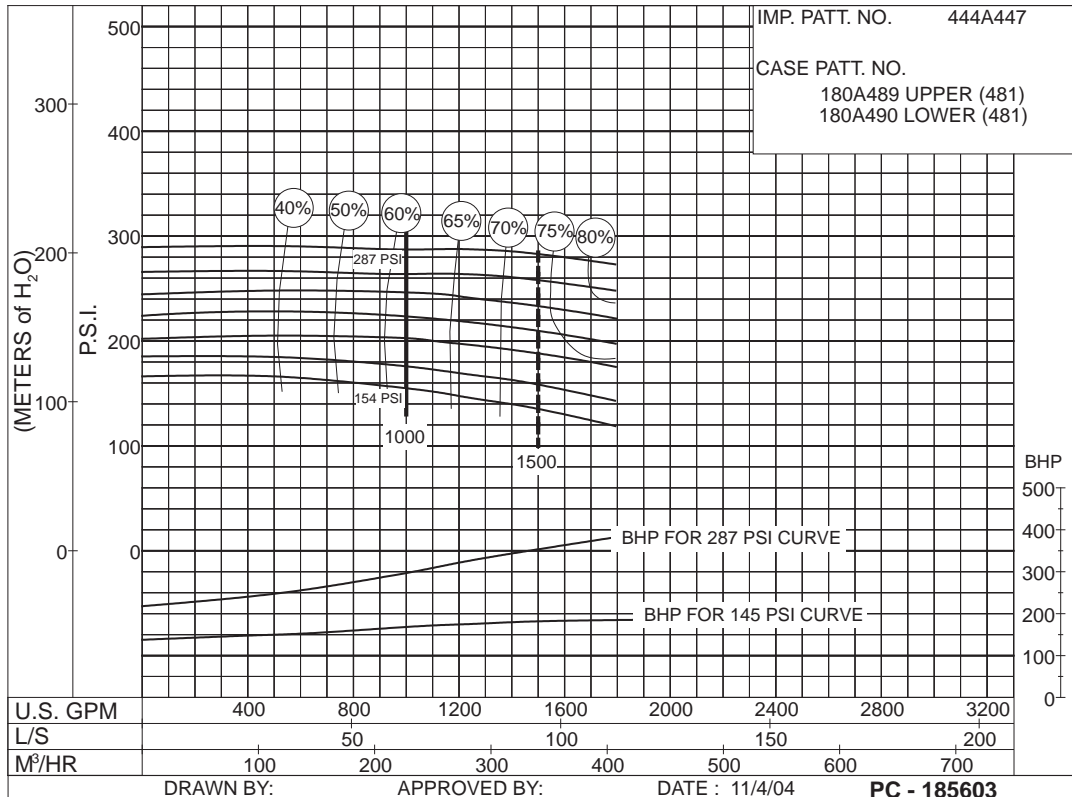
PC - 186044

88
to
218
P.S.I.

SIZE : 6-481-14HH

MODEL: 480 IMPELLER : Enclosed

R. P. M. : 3560



DRAWN BY:

APPROVED BY:

DATE : 11/4/04

PC - 185603

154
to
287
P.S.I.



AURORA®

THIS PAGE LEFT INTENTIONALLY BLANK

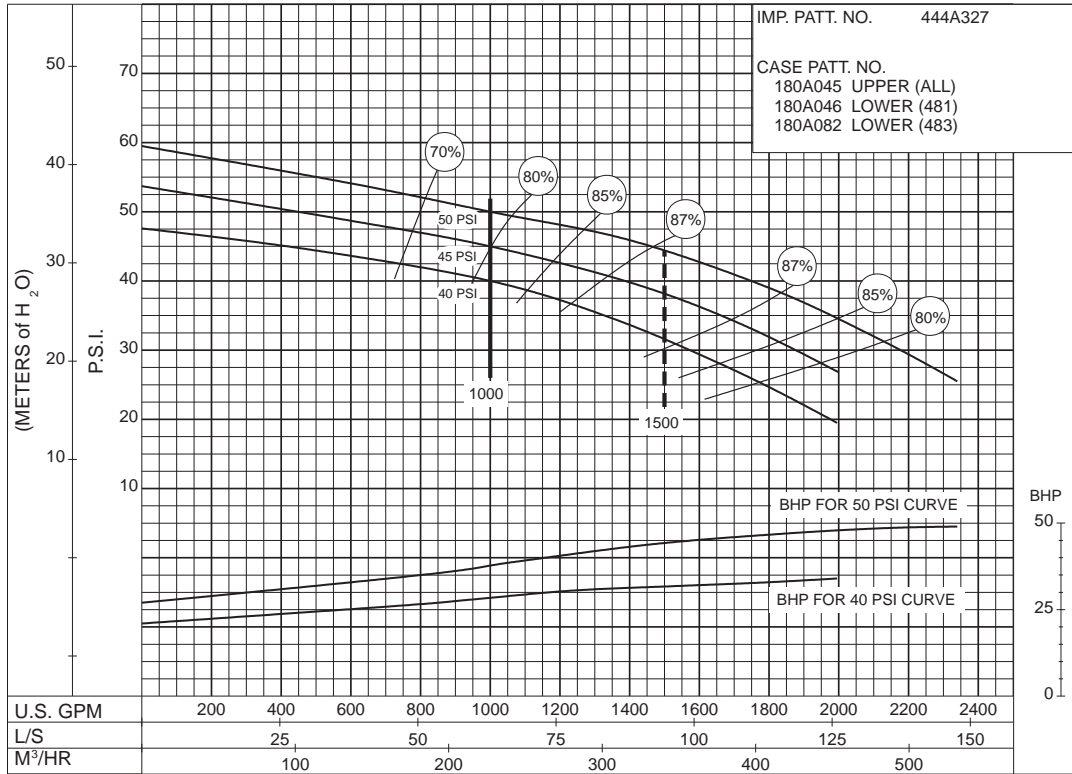
1000 G.P.M. 912 SERIES ELECTRIC MOTOR DRIVE

SIZE : 6-481-11 / 6-483-11

MODEL: 480

IMPELLER : Enclosed

R. P. M. : 1770



PC-117433

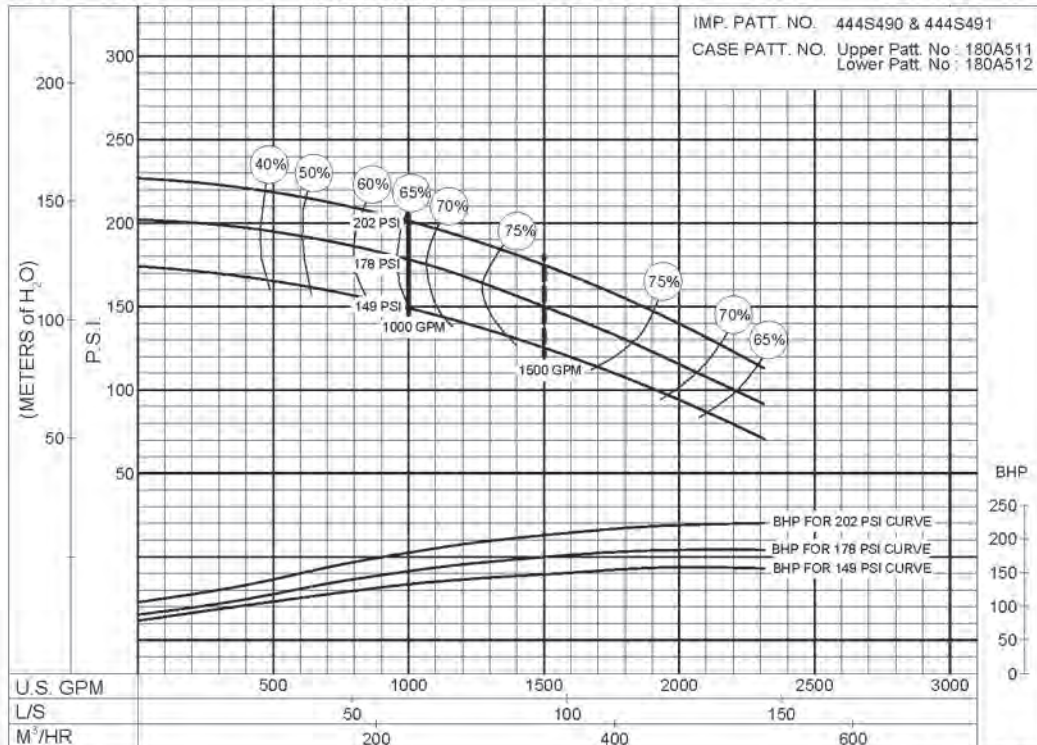
40 to 50 P.S.I.

SIZE: 6-485-16

MODEL: 485

IMPELLER : Enclosed

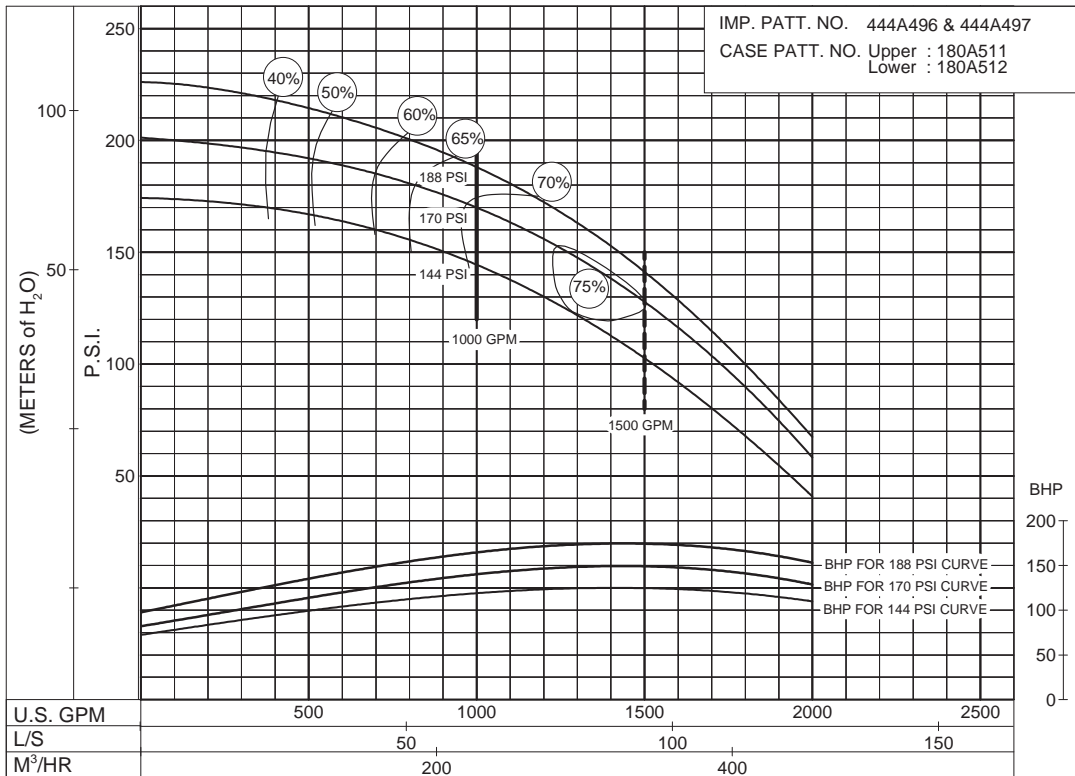
R. P. M. : 1780



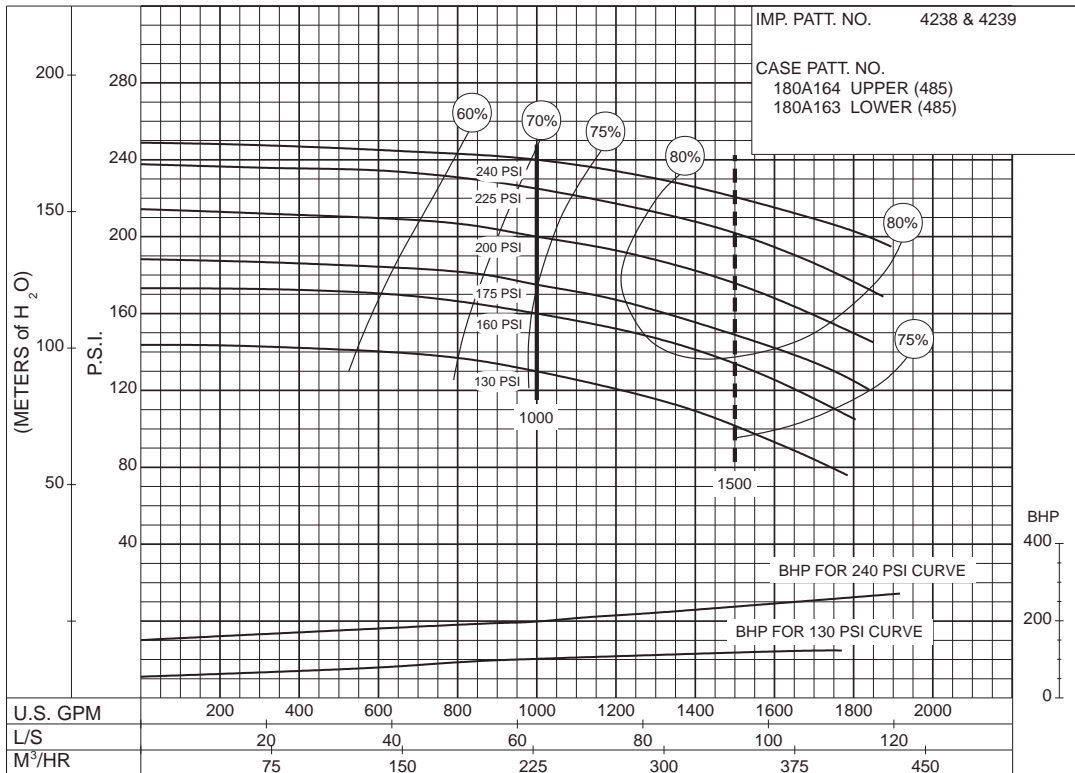
PC- 200247

149 to 202 P.S.I.

SIZE: 6-485-16B MODEL: 485 IMPELLER : Enclosed R. P. M. : 1770



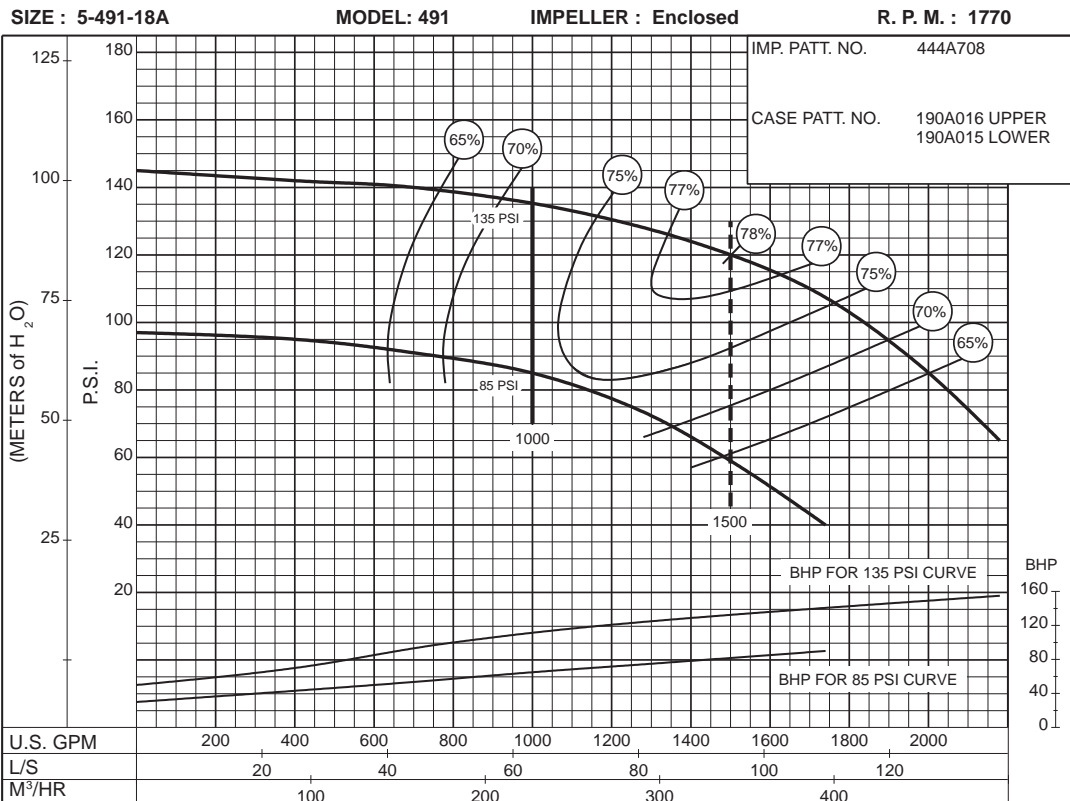
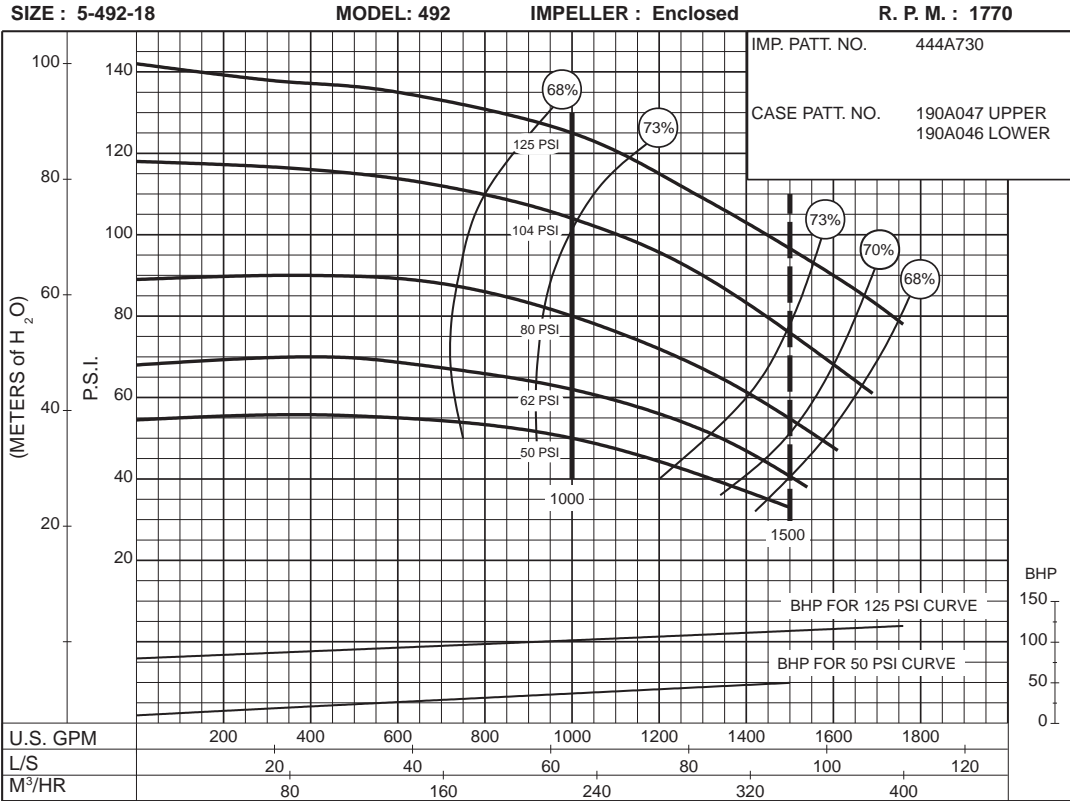
SIZE : 6-485-17A MODEL: 480 IMPELLER : Enclosed R. P. M. : 1770



THIS PAGE LEFT INTENTIONALLY BLANK

1000 G.P.M. 912 SERIES

ELECTRIC MOTOR DRIVE



1000 G.P.M. 912 SERIES ELECTRIC MOTOR DRIVE

Section 912 Page 421
Date April 2000

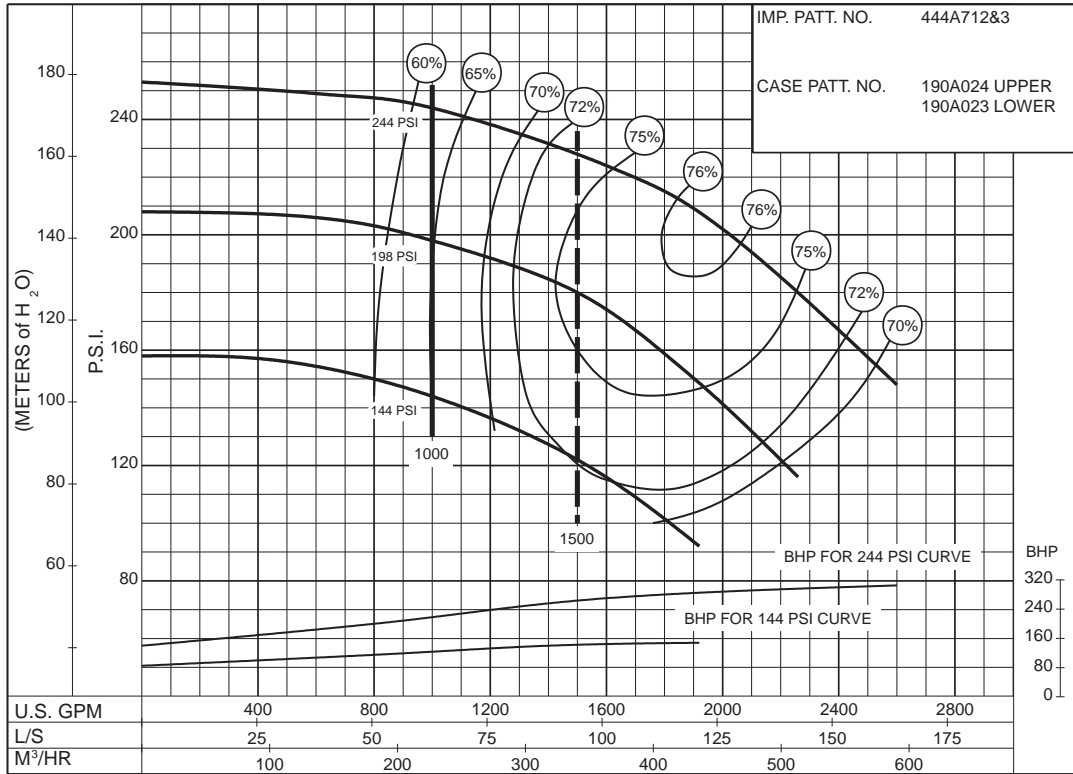
Supersedes Section 912 Page 421
Dated June 1999

SIZE : 6-495-17

MODEL: 495

IMPELLER : Enclosed

R. P. M. : 1770



144
to
244
P.S.I.

PC-168450



AURORA®

Section 912 Page 422

Date April 2000

Supersedes Section 912 Page 422

Dated June 1999

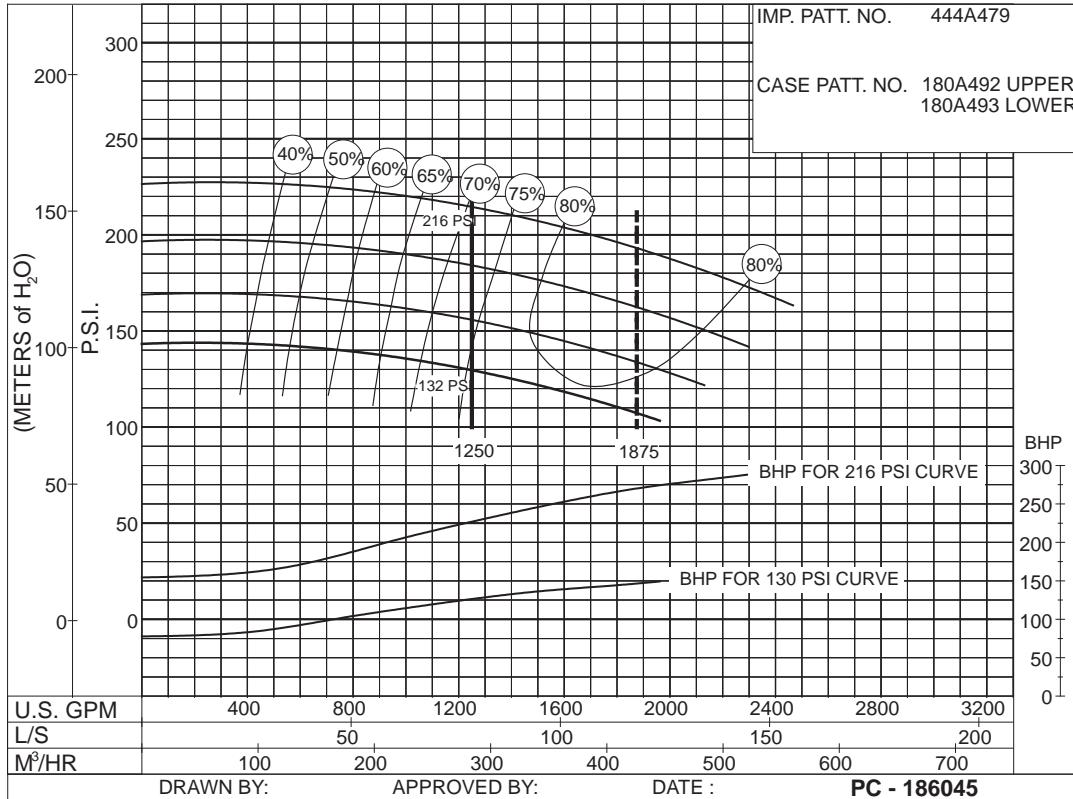
THIS PAGE LEFT INTENTIONALLY BLANK

1250 G.P.M. 912 SERIES
ELECTRIC MOTOR DRIVE

SIZE : 6-481-11HH

MODEL: 480 IMPELLER : Enclosed

R. P. M. : 3560

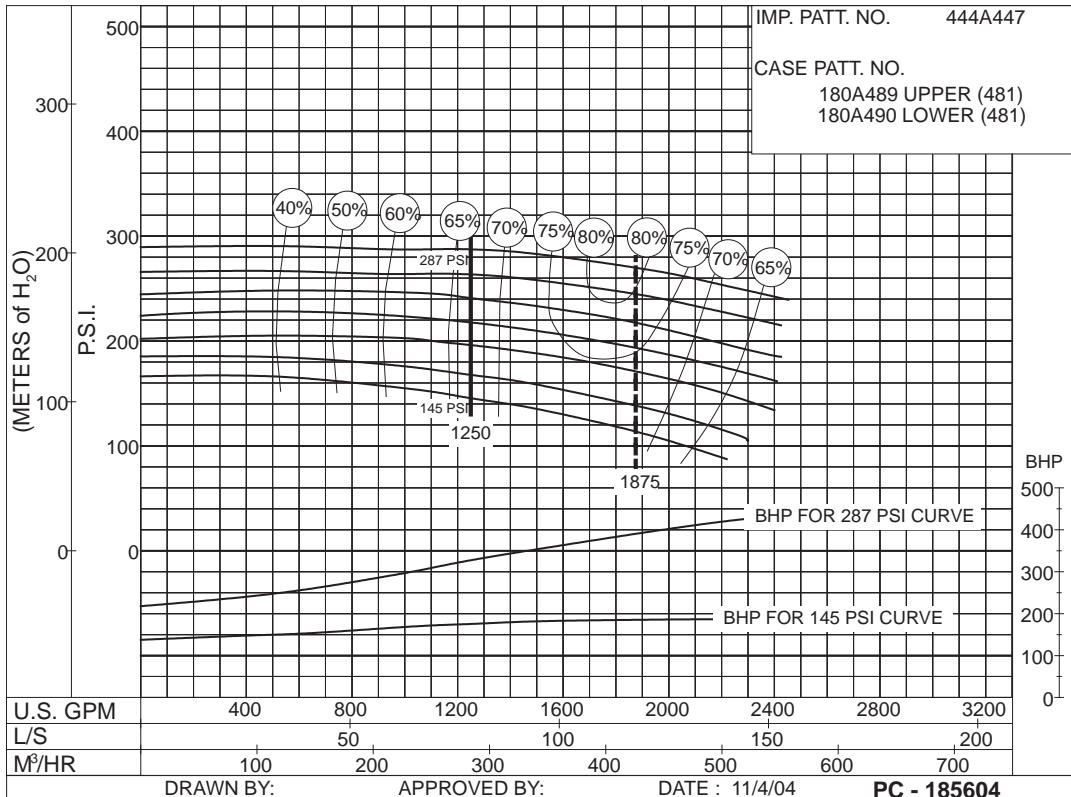


132
to
216
P.S.I.

SIZE : 6-481-14HH

MODEL: 480 IMPELLER : Enclosed

R. P. M. : 3560



145
to
287
P.S.I.

THIS PAGE LEFT INTENTIONALLY BLANK

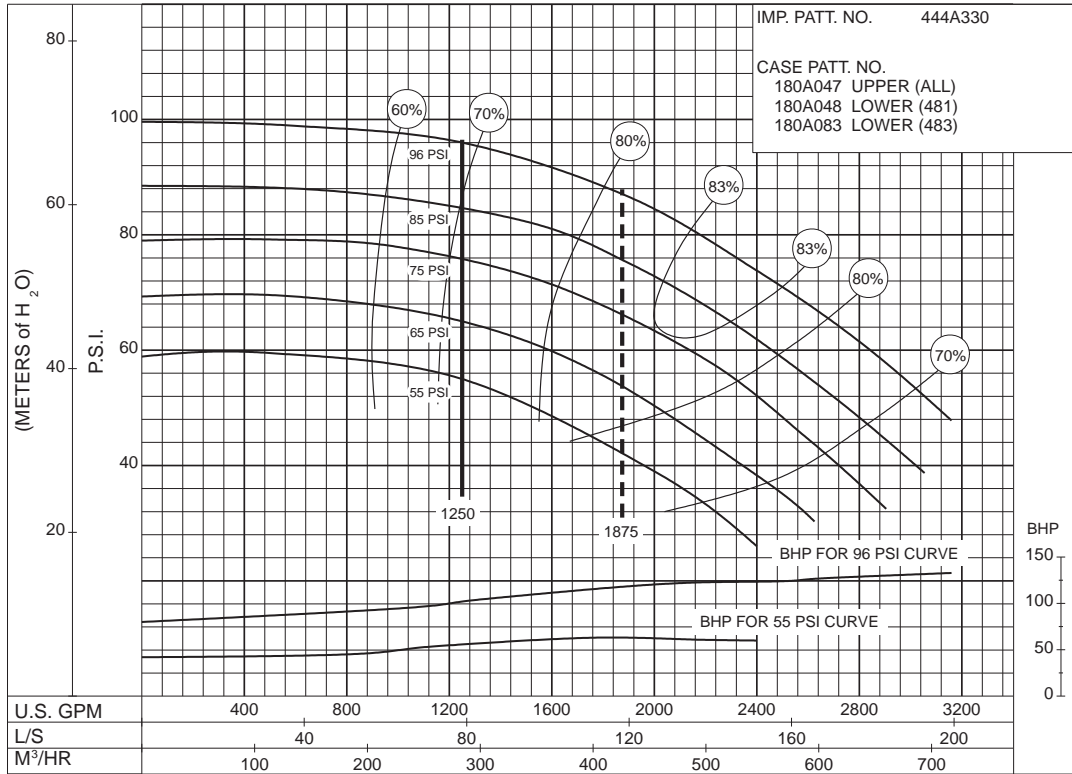
1250 G.P.M. 912 SERIES ELECTRIC MOTOR DRIVE

SIZE : 6-481-15 / 6-483-15

MODEL: 480

IMPELLER : Enclosed

R. P. M. : 1770



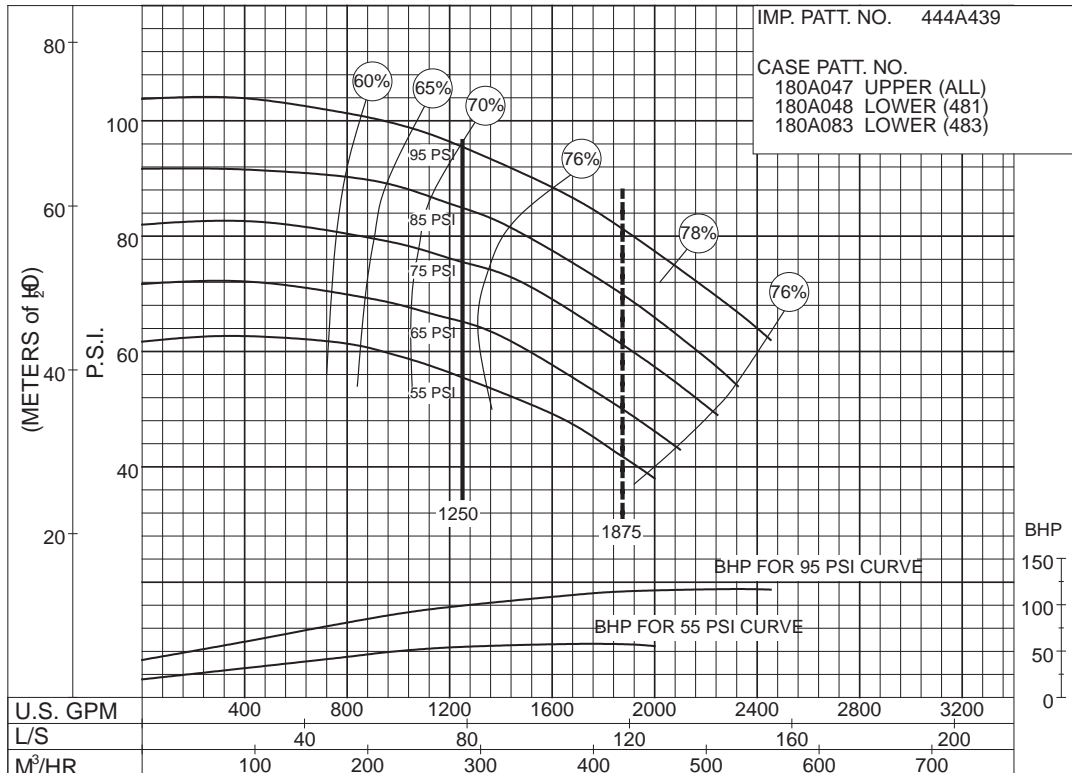
55 to 96 P.S.I.

SIZE : 6-481-15C / 6-483-15C

MODEL: 480

IMPELLER : Enclosed

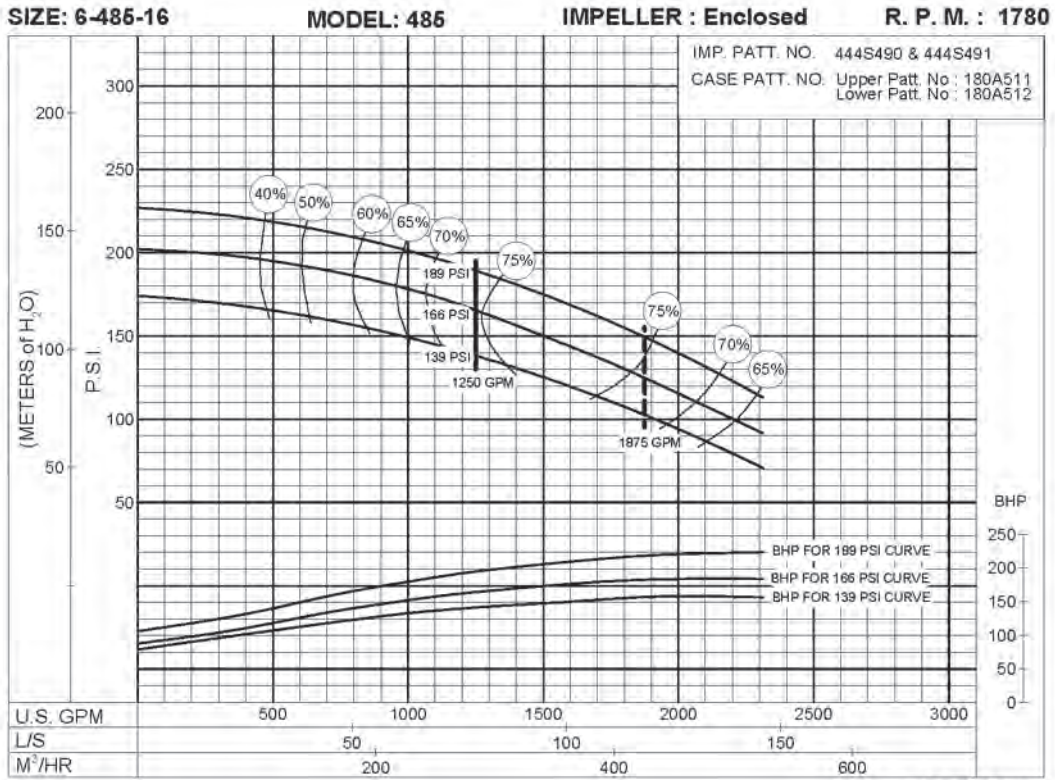
R. P. M. : 1770



55 to 95 P.S.I.

1250 G.P.M. 912 SERIES
 ELECTRIC MOTOR DRIVE

Supersedes Section 912 Page 423.1
 Dated April 2003



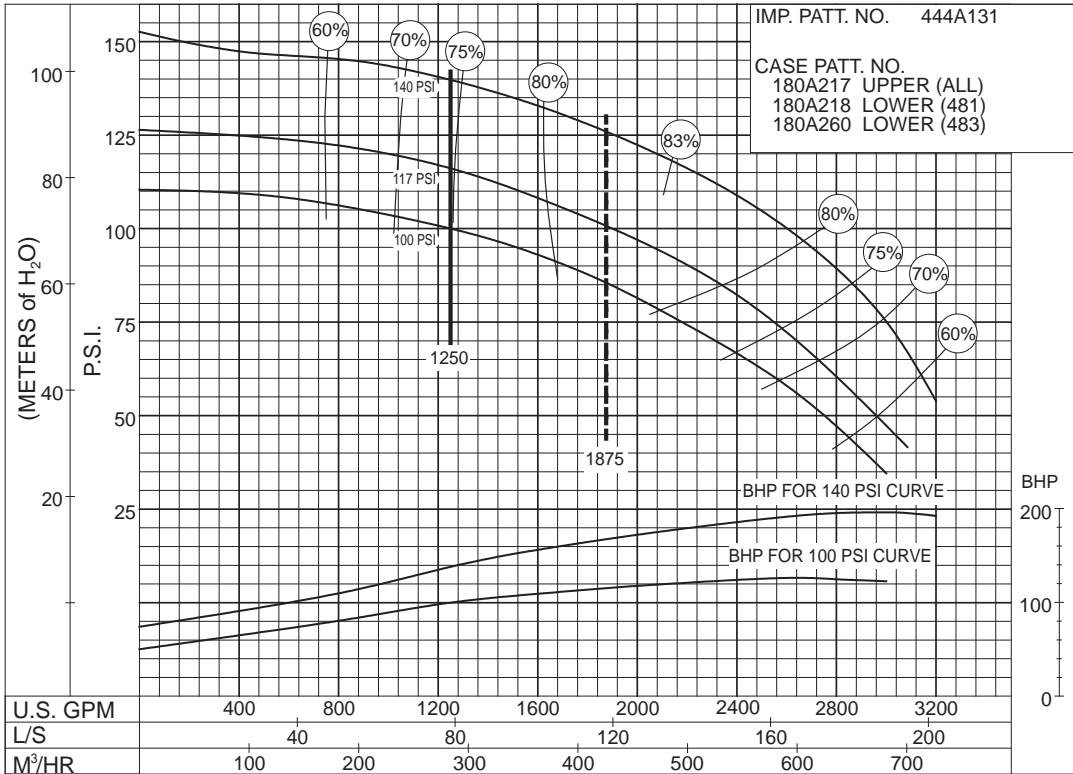
139
 to
 189
 P.S.I.

THIS PAGE LEFT INTENTIONALLY BLANK

1250 G.P.M. 912 SERIES

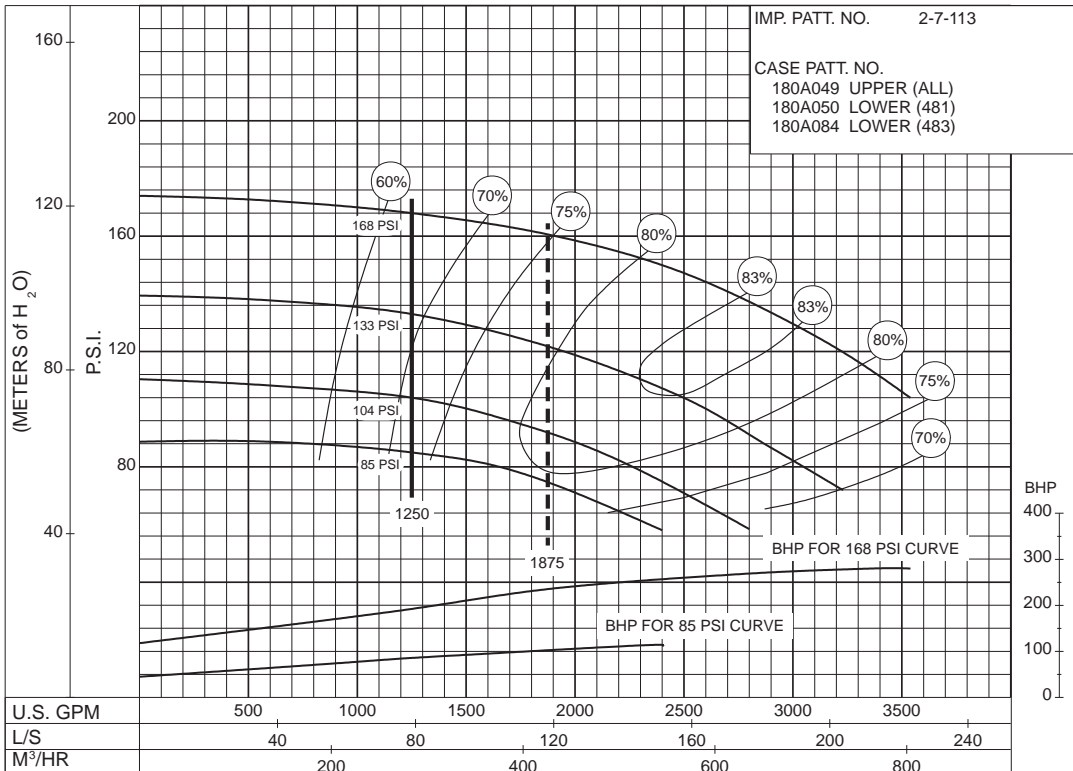
ELECTRIC MOTOR DRIVE

SIZE : 6-481-18B / 6-483-18B MODEL: 480 IMPELLER : Enclosed R. P. M. : 1770



PC-147680

SIZE : 6-481-20 / 6-483-20 MODEL: 480 IMPELLER : Enclosed R. P. M. : 1770



PC-147682



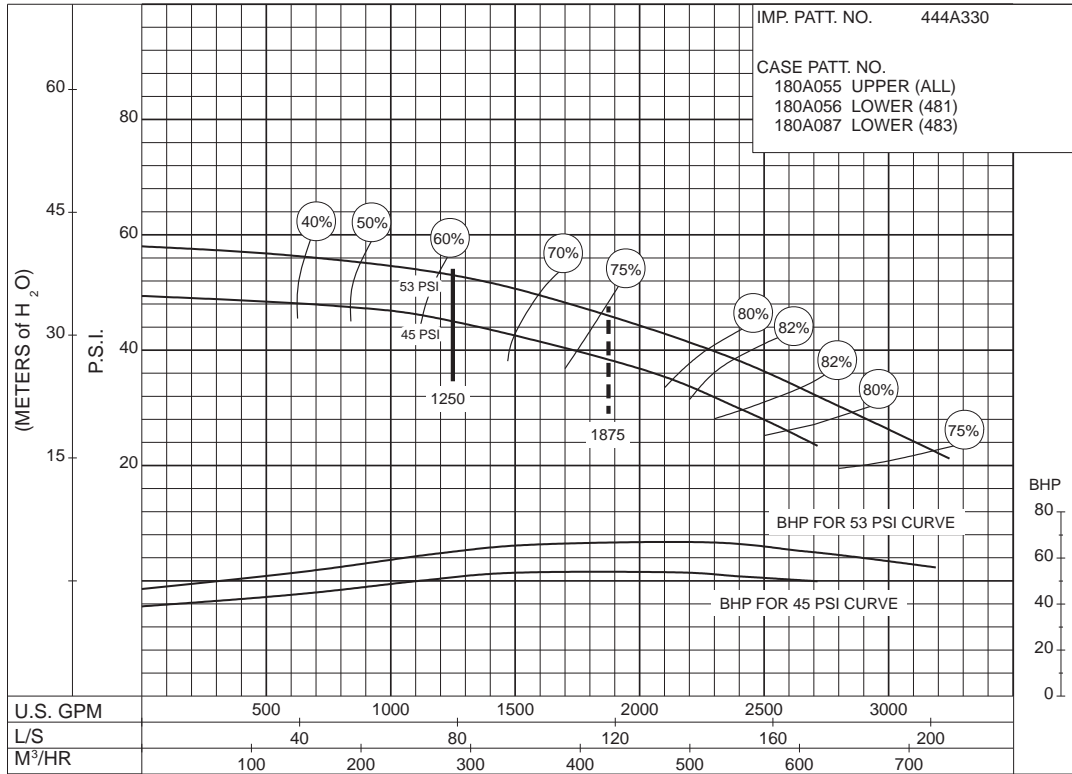
1250 G.P.M. 912 SERIES ELECTRIC MOTOR DRIVE

SIZE : 8-481-12 / 8-483-12

MODEL: 480

IMPELLER : Enclosed

R. P. M. : 1770



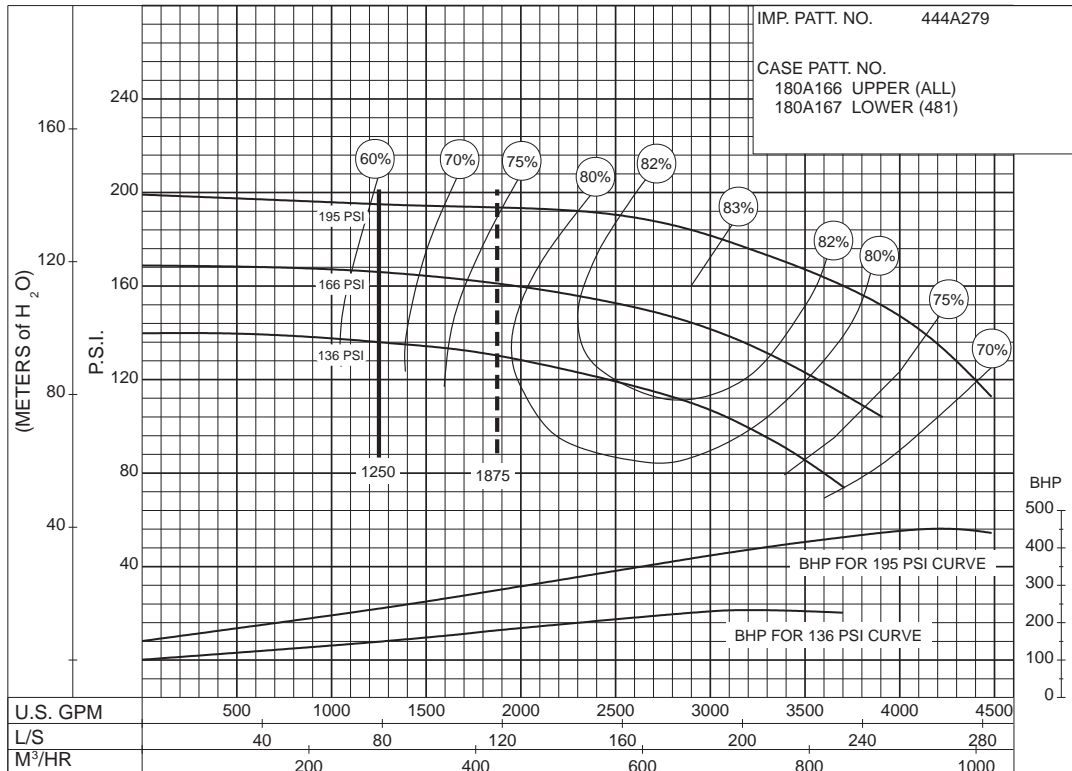
45 to 53 P.S.I.

SIZE : 8-481-21

MODEL: 480

IMPELLER : Enclosed

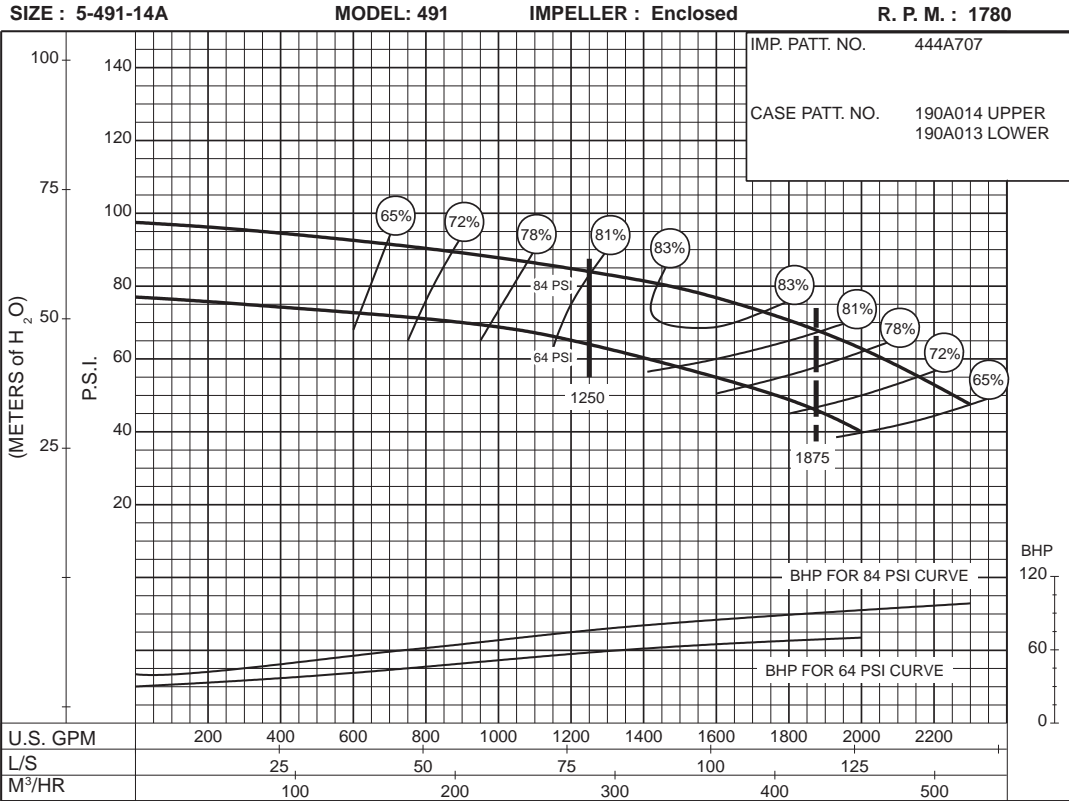
R. P. M. : 1775



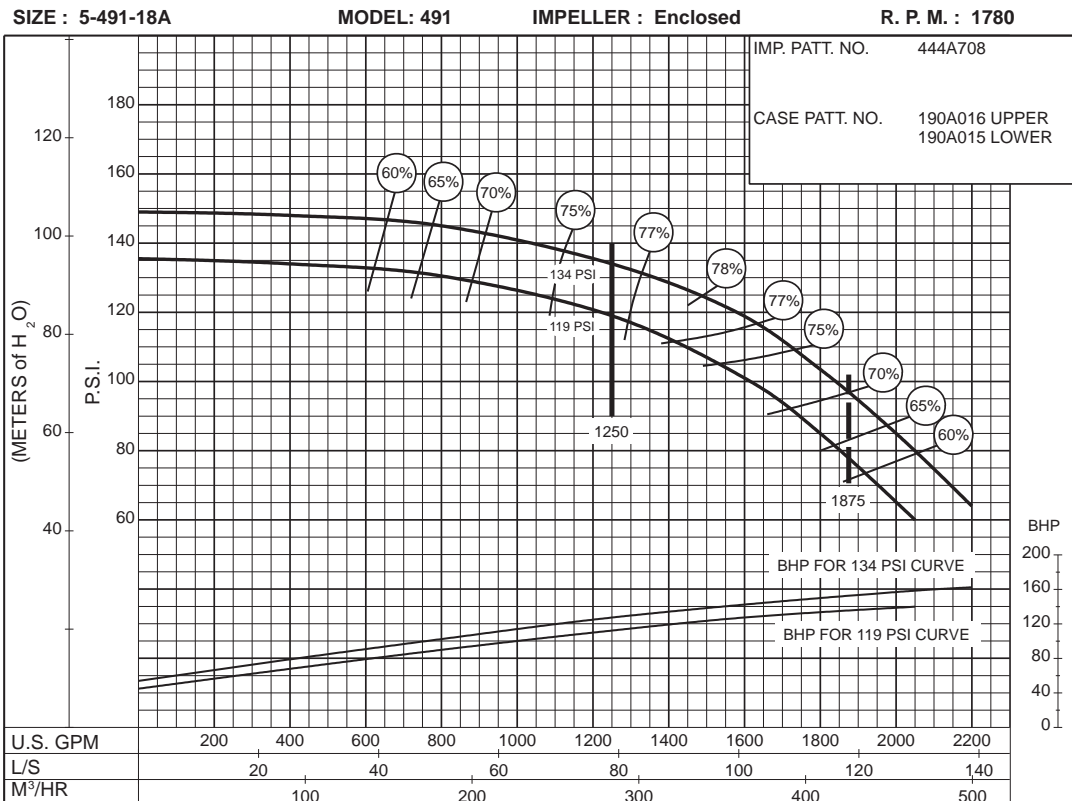
136 to 195 P.S.I.

1250 G.P.M. 912 SERIES

ELECTRIC MOTOR DRIVE



64
to
84
P.S.I.



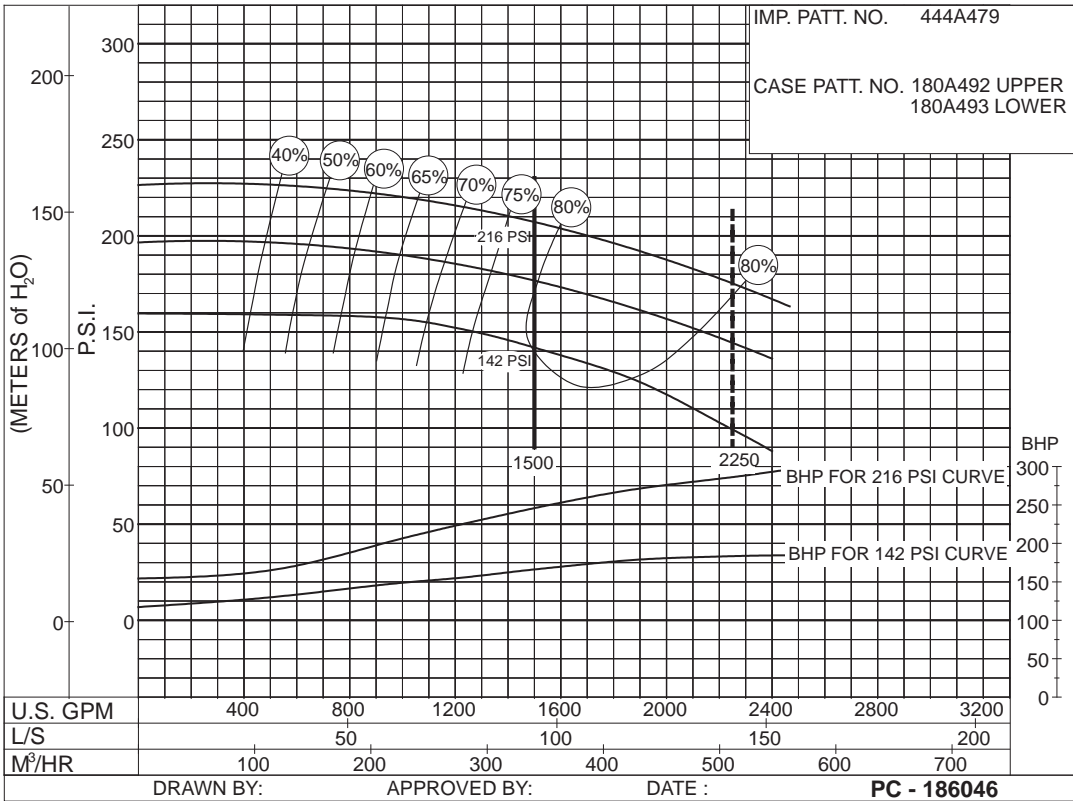
119
to
134
P.S.I.

1500 G.P.M. 912 SERIES
ELECTRIC MOTOR DRIVE

SIZE : 6-481-11HH

MODEL: 480 IMPELLER : Enclosed

R. P. M. : 3560

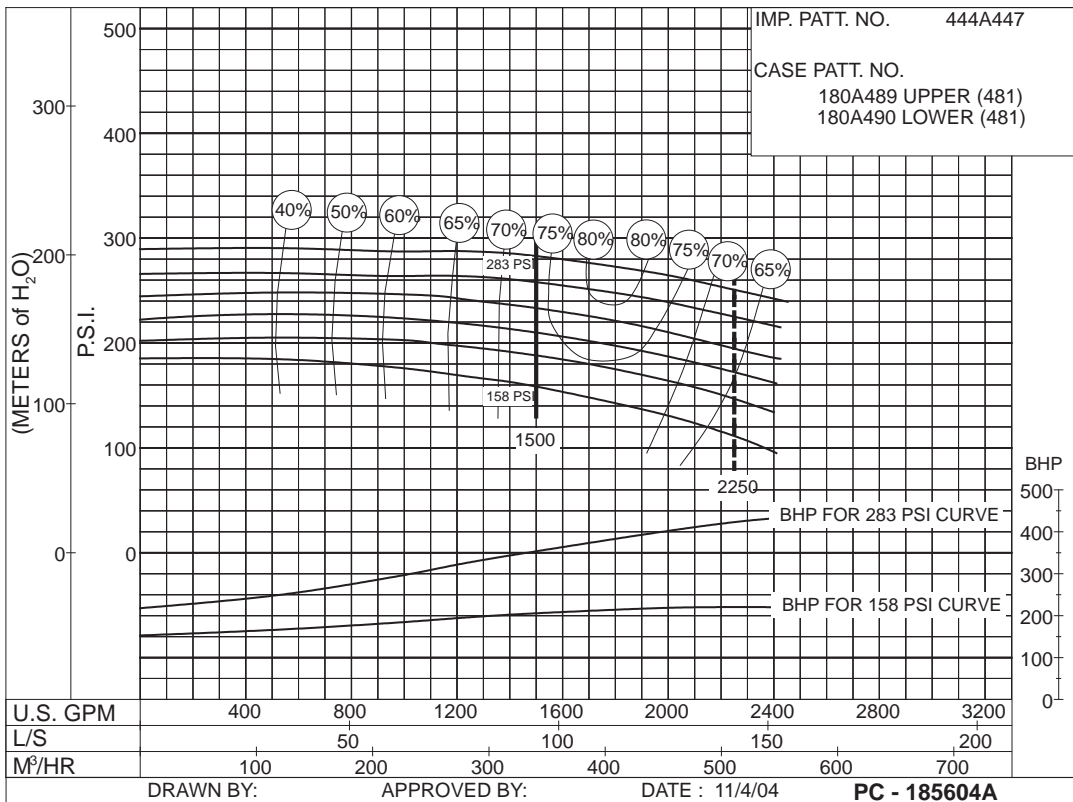


142
to
216
P.S.I.

SIZE : 6-481-14HH

MODEL: 480 IMPELLER : Enclosed

R. P. M. : 3560



158
to
283
P.S.I.

THIS PAGE LEFT INTENTIONALLY BLANK

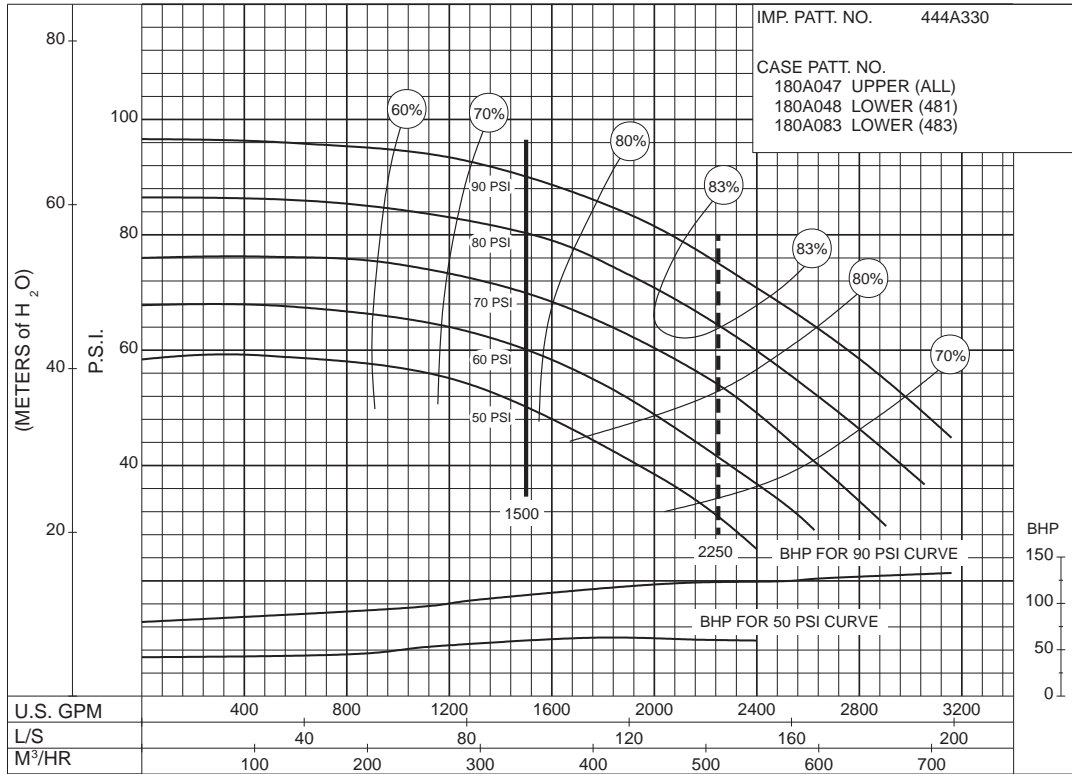
1500 G.P.M. 912 SERIES ELECTRIC MOTOR DRIVE

SIZE : 6-481-15 / 6-483-15

MODEL: 480

IMPELLER : Enclosed

R. P. M. : 1770



PC-117438

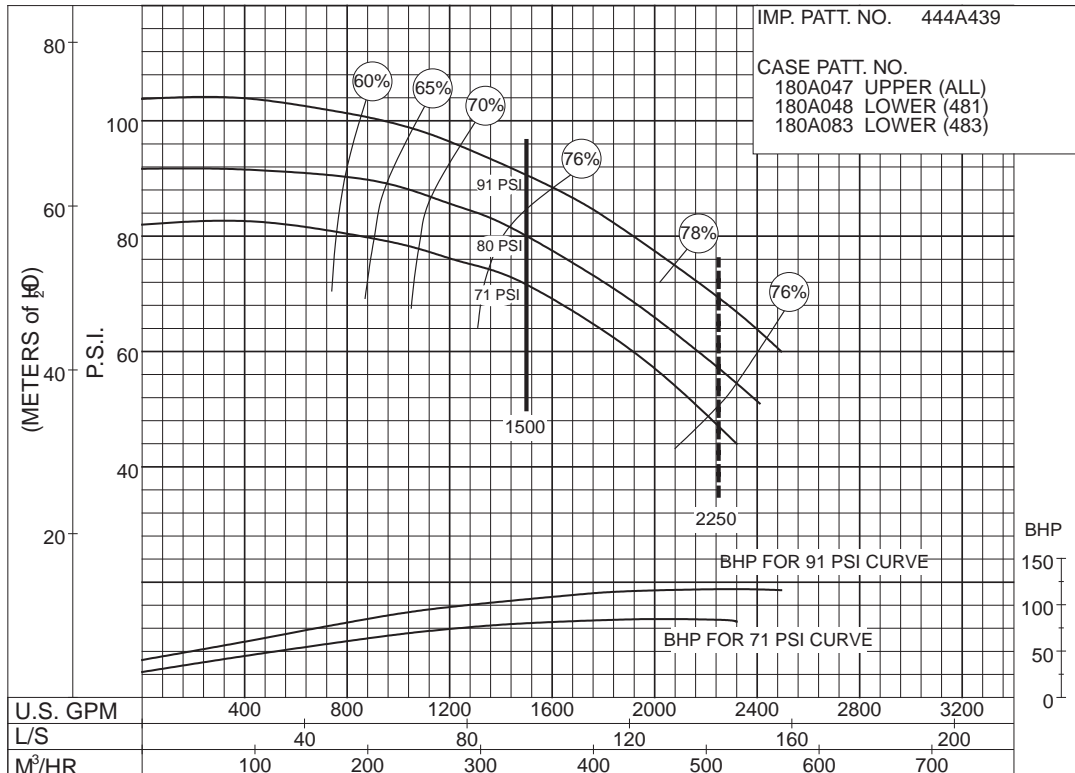
50 to 90 P.S.I.

SIZE : 6-481-15C / 6-483-15C

MODEL: 480

IMPELLER : Enclosed

R. P. M. : 1770



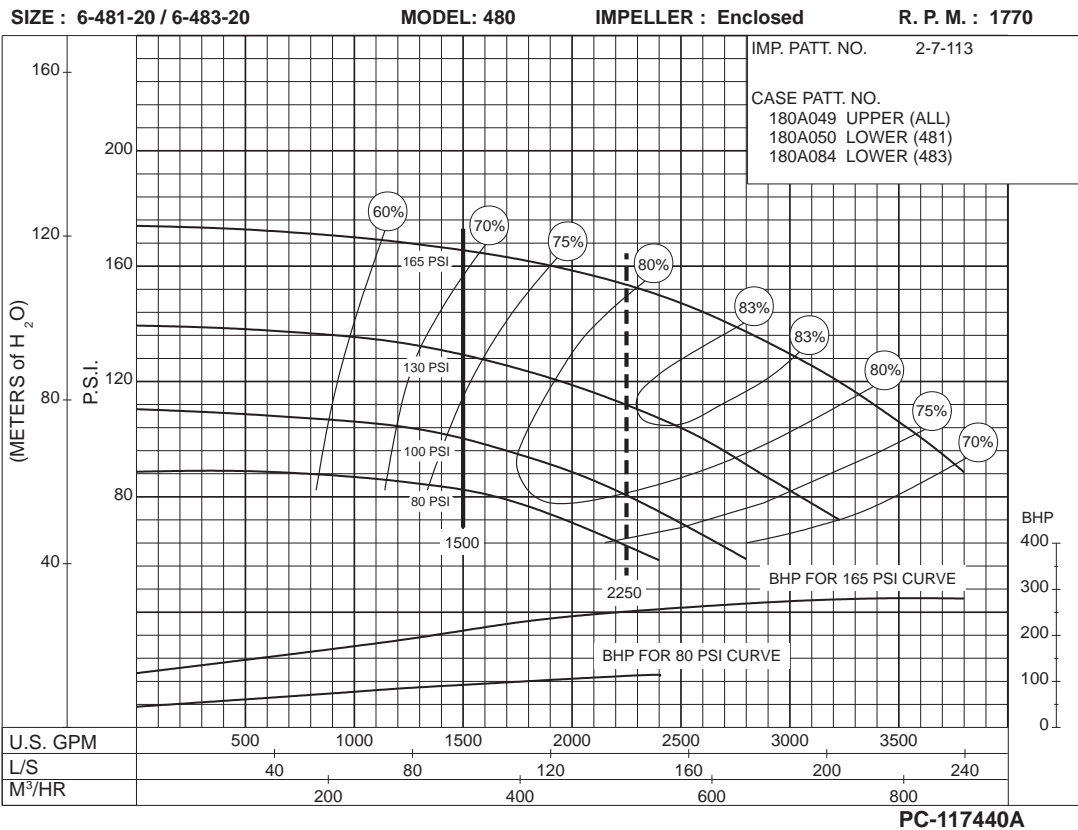
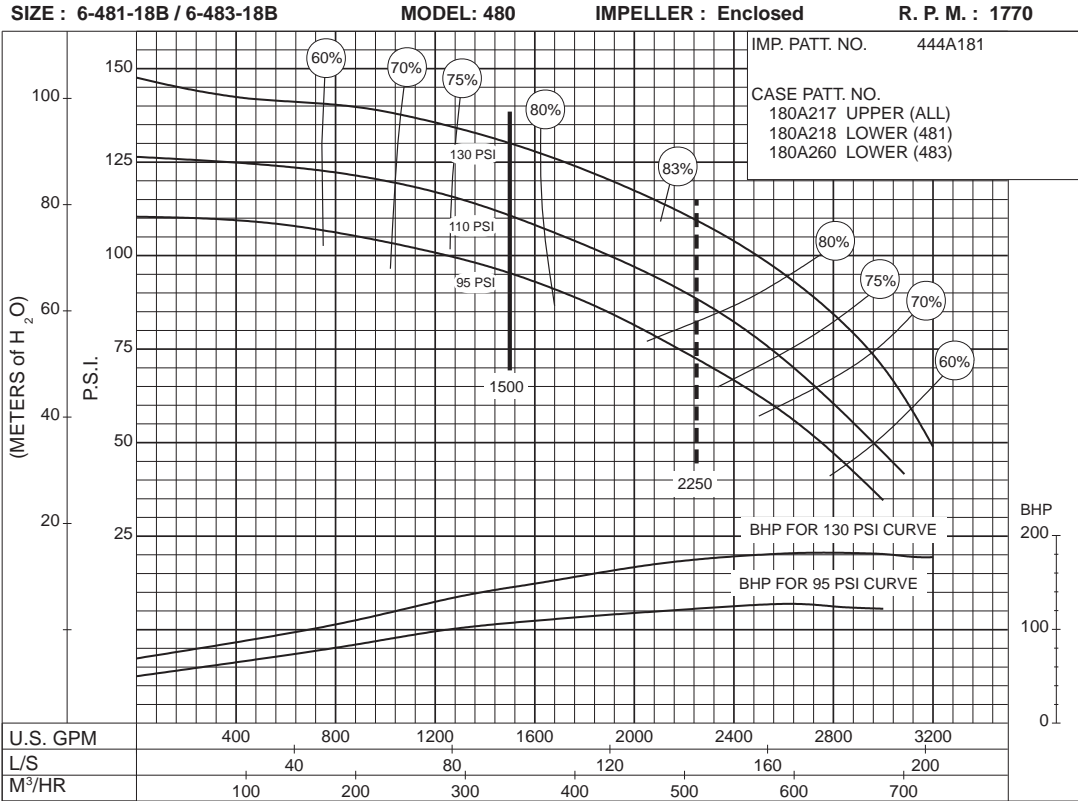
PC-179387

71 to 91 P.S.I.



AURORA®

1500 G.P.M. 912 SERIES
ELECTRIC MOTOR DRIVE



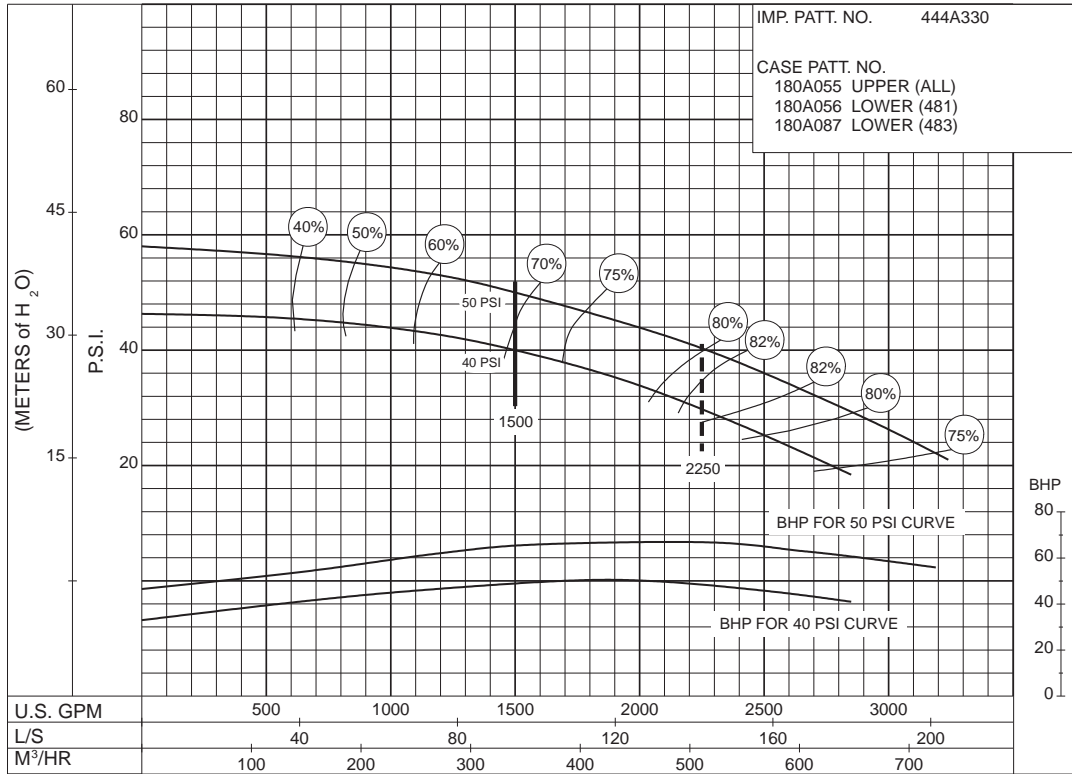
1500 G.P.M. 912 SERIES ELECTRIC MOTOR DRIVE

SIZE : 8-481-12 / 8-483-12

MODEL: 480

IMPELLER : Enclosed

R. P. M. : 1770



PC-117437

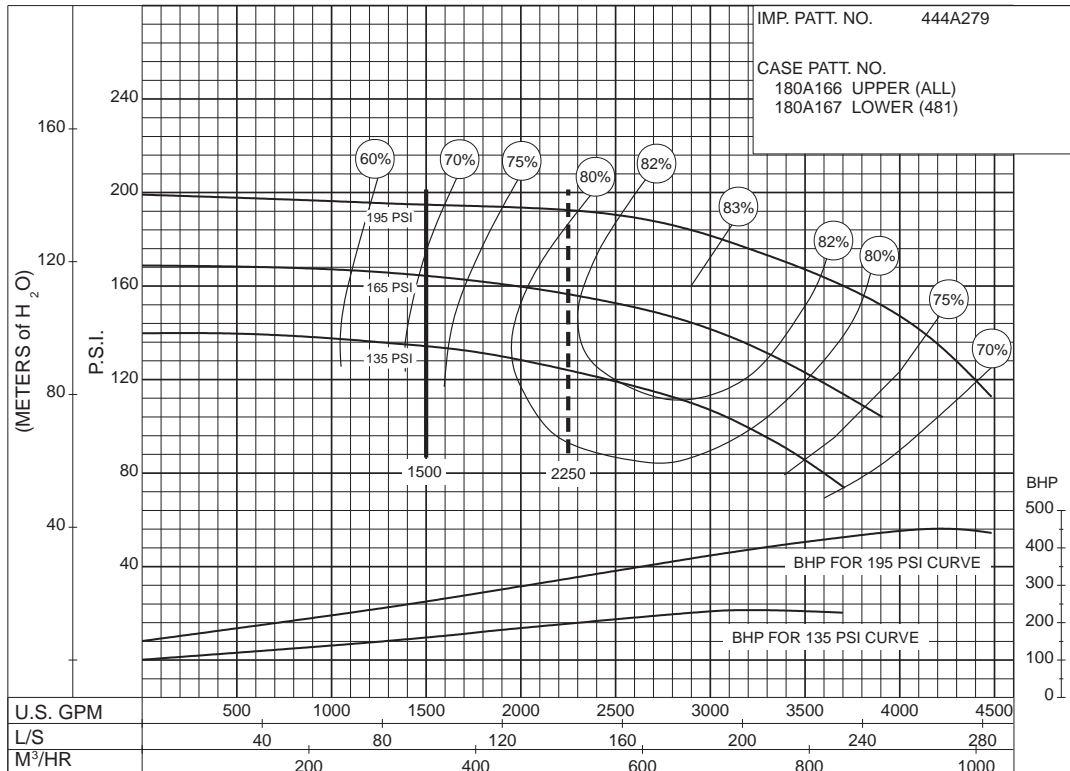
40 to 50 P.S.I.

SIZE : 8-481-21

MODEL: 480

IMPELLER : Enclosed

R. P. M. : 1770



PC-144927A

135 to 195 P.S.I.



AURORA®

1500 G.P.M. 912 SERIES

ELECTRIC MOTOR DRIVE

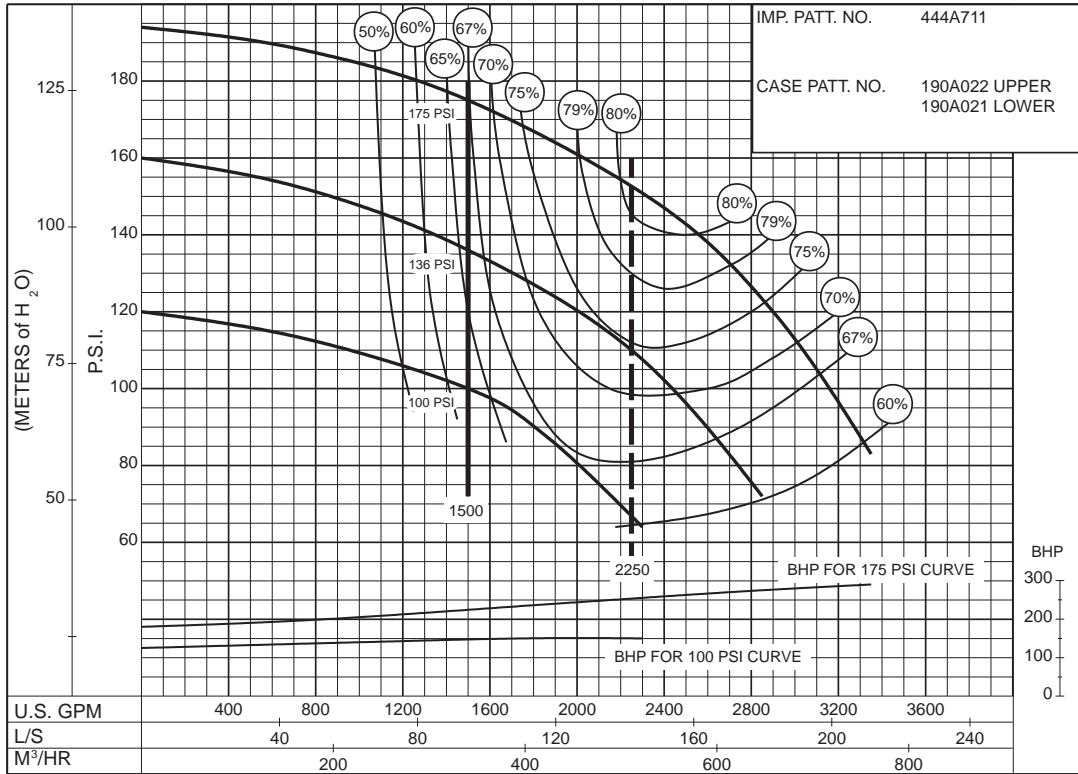
SIZE : 6-492-10

MODEL: 492

IMPELLER : Enclosed

R. P. M. : 3550

IMP. PATT. NO. 444A711
CASE PATT. NO. 190A022 UPPER
190A021 LOWER



100
to
175
P.S.I.

PC-168453

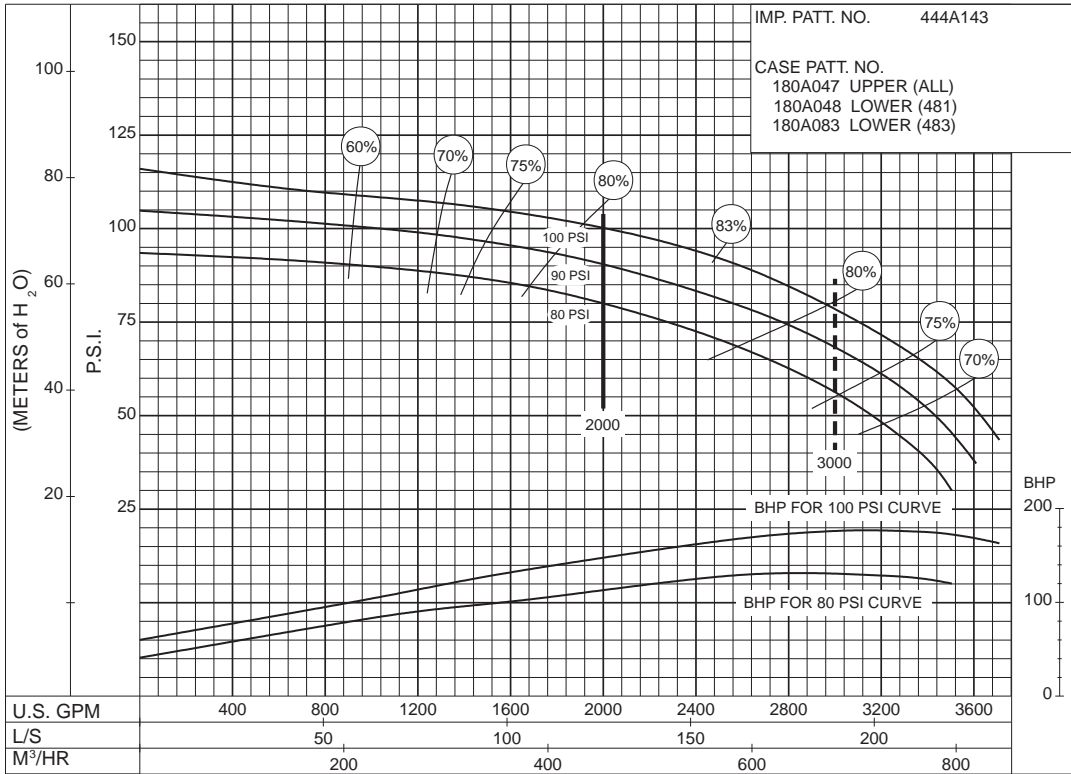
2000 G.P.M. 912 SERIES ELECTRIC MOTOR DRIVE

SIZE : 6-481-15B / 6-483-15B

MODEL: 480

IMPELLER : Enclosed

R. P. M. : 1770



PC-123057

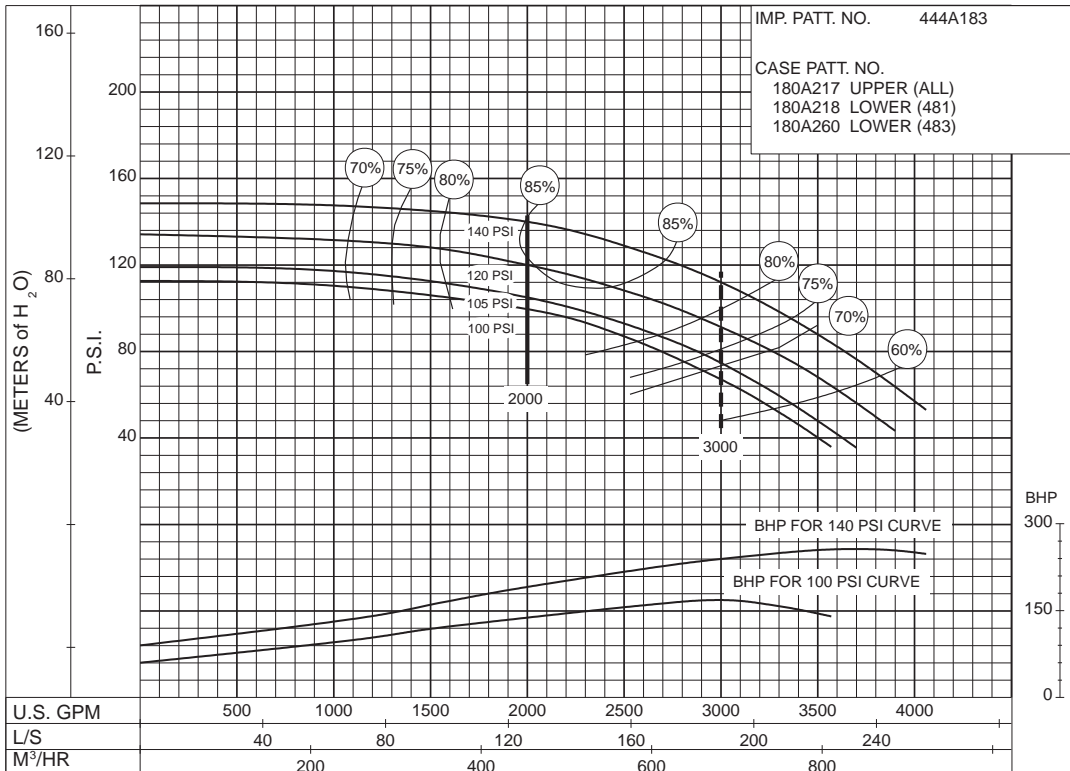
80 to 100 P.S.I.

SIZE : 6-481-18C / 6-483-18C

MODEL: 480

IMPELLER : Enclosed

R. P. M. : 1770



PC-123059

100 to 140 P.S.I.

2000 G.P.M. 912 SERIES

ELECTRIC MOTOR DRIVE

SIZE : 6-481-20 / 6-483-20

MODEL: 480

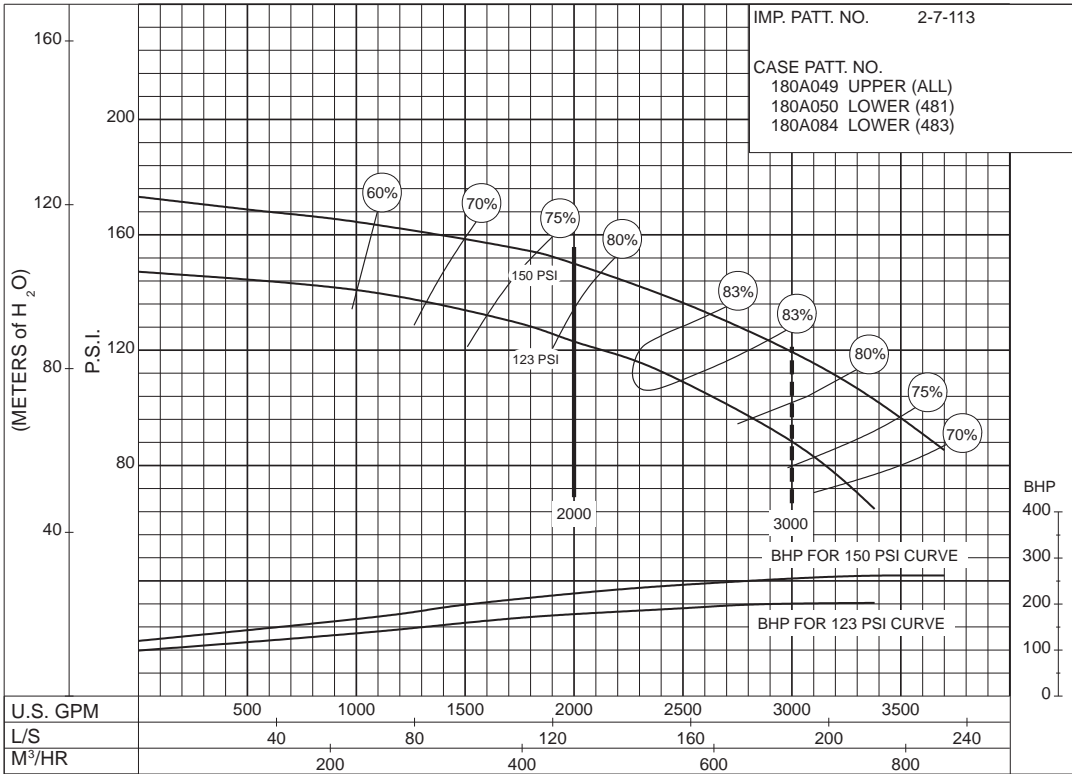
IMPELLER : Enclosed

R. P. M. : 1770

IMP. PATT. NO. 2-7-113

CASE PATT. NO.
180A049 UPPER (ALL)
180A050 LOWER (481)
180A084 LOWER (483)

123
to
150
P.S.I.



PC-117444A

SIZE : 8-481-17B / 8-483-17B

MODEL: 480

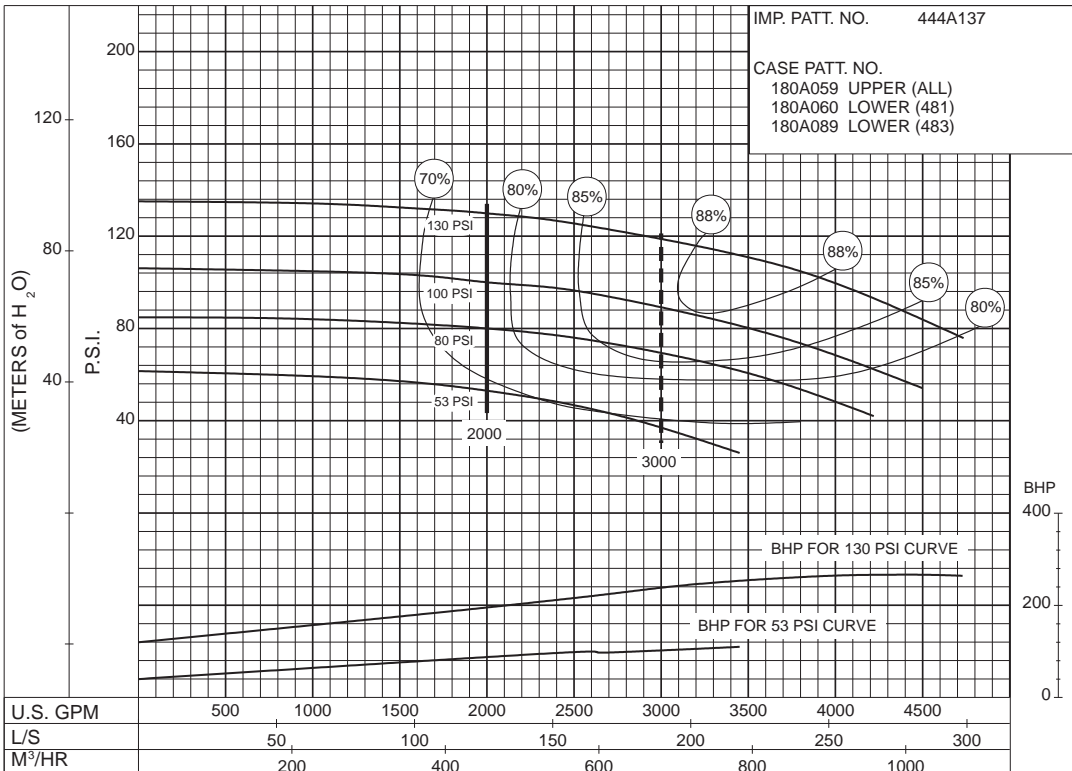
IMPELLER : Enclosed

R. P. M. : 1770

IMP. PATT. NO. 444A137

CASE PATT. NO.
180A059 UPPER (ALL)
180A060 LOWER (481)
180A089 LOWER (483)

53
to
130
P.S.I.



PC-149176

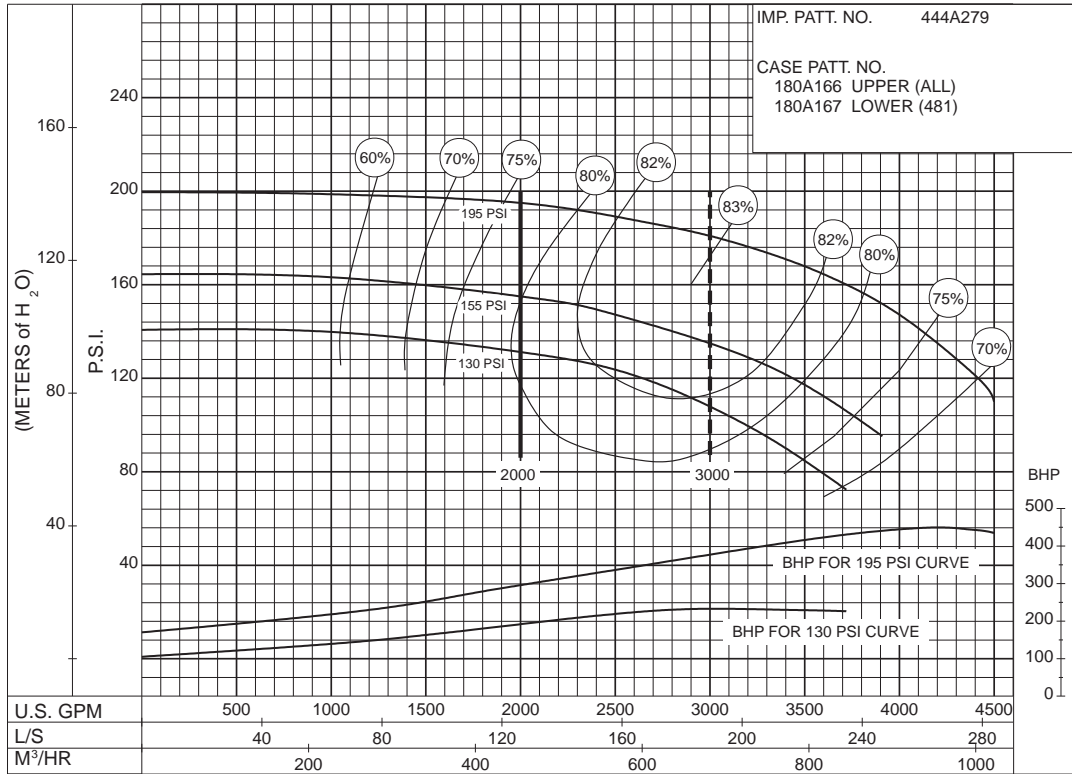
2000 G.P.M. 912 SERIES
ELECTRIC MOTOR DRIVE

SIZE : 8-481-21

MODEL: 480

IMPELLER : Enclosed

R. P. M. : 1770



PC-144928

130
to
195
P.S.I.

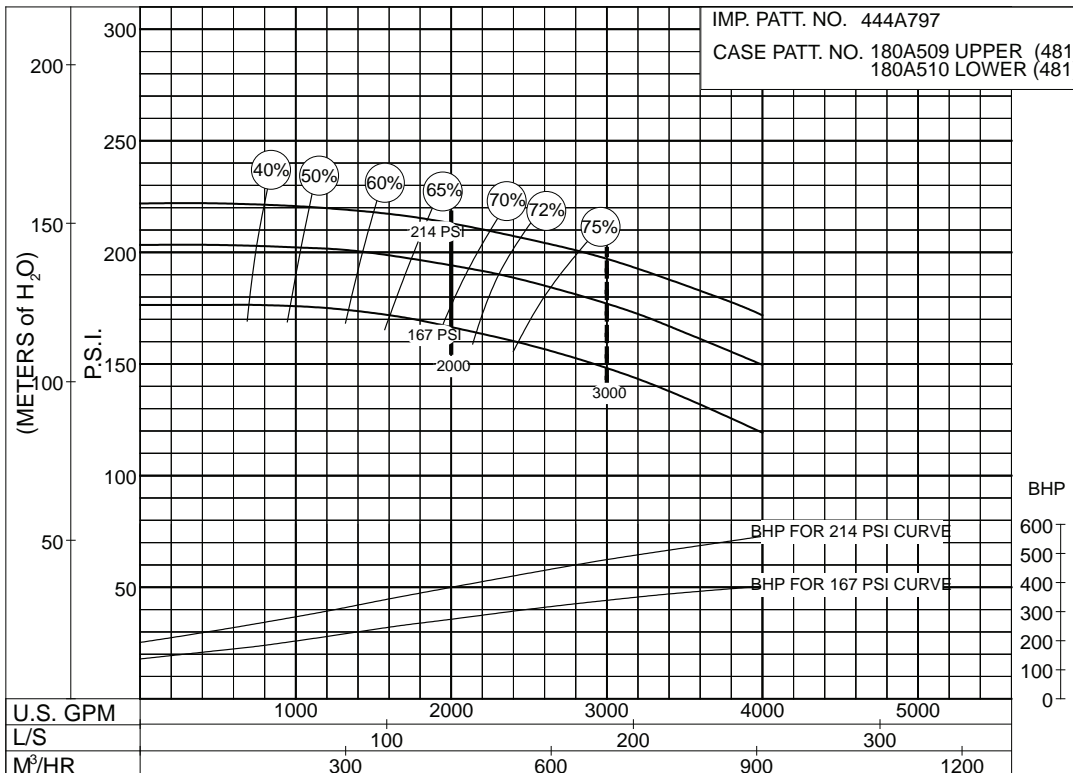
SIZE: 8-481-24

MODEL: 480

TYPE : ELECTRIC

IMPELLER : Enclosed

R. P. M. : 1770



PC- 196151

167
to
214
P.S.I.



AURORA®

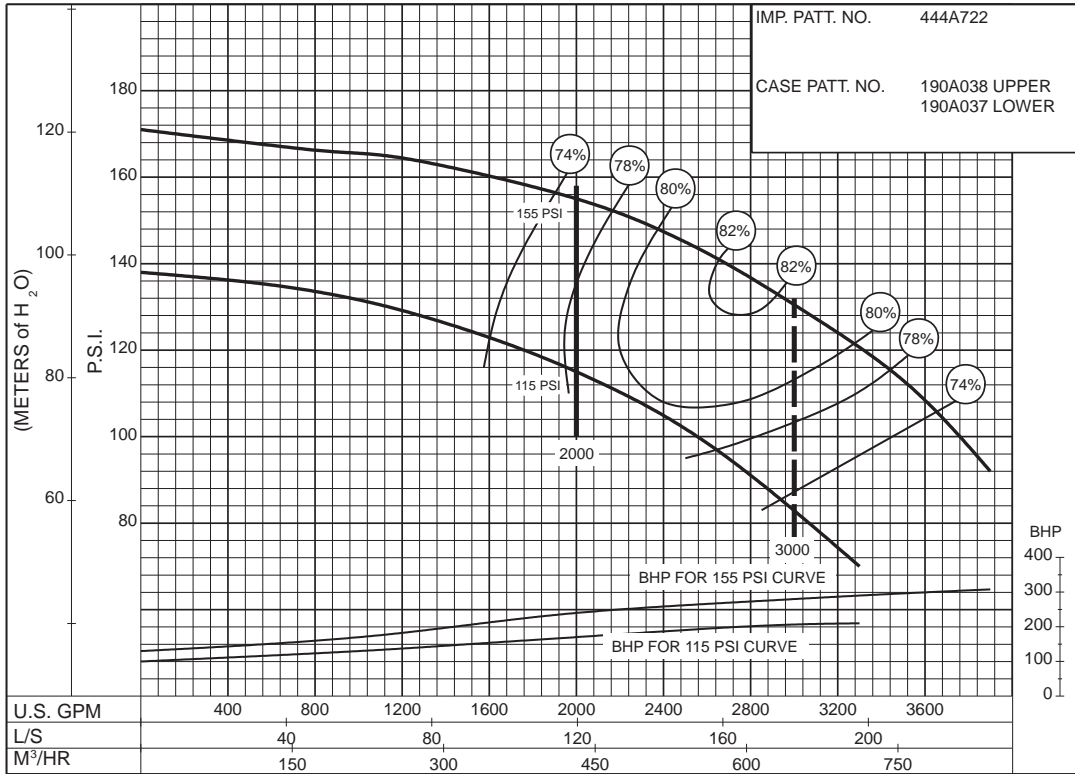
SIZE : 6-491-19A

MODEL: 491

IMPELLER : Enclosed

R. P. M. : 1770

IMP. PATT. NO. 444A722
CASE PATT. NO. 190A038 UPPER
190A037 LOWER



115
to
155
P.S.I.

PC-168455

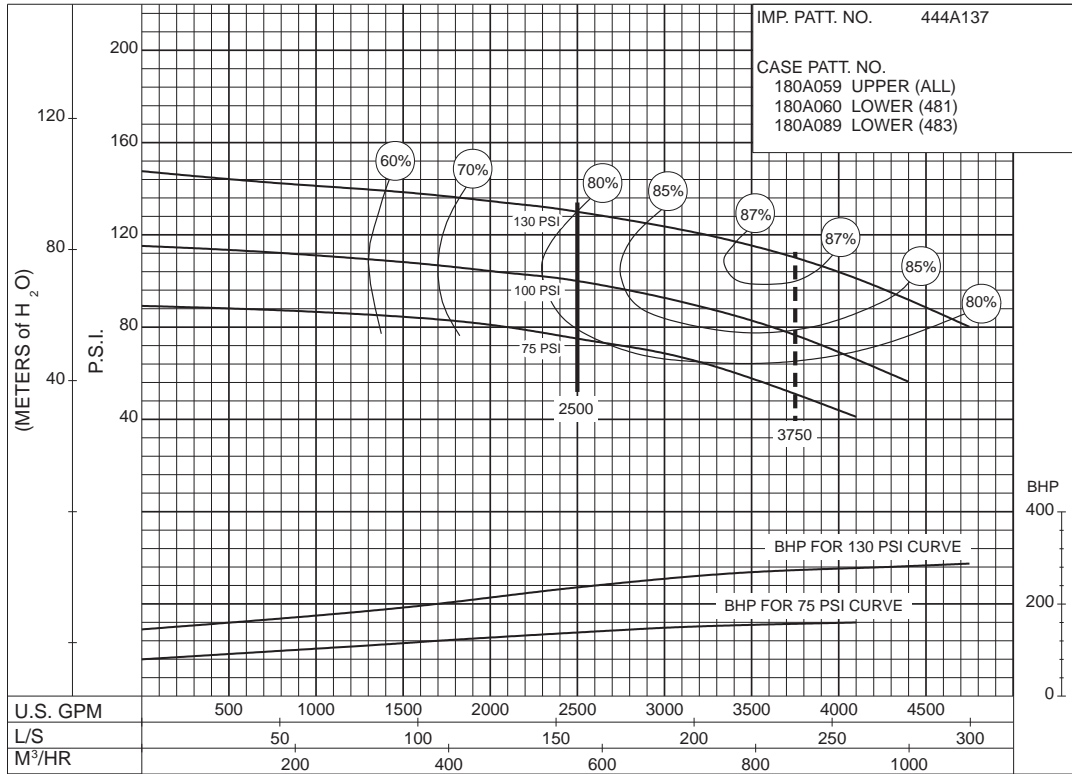
2500 G.P.M. 912 SERIES ELECTRIC MOTOR DRIVE

SIZE : 8-481-17B / 8-483-17B

MODEL: 480

IMPELLER : Enclosed

R. P. M. : 1770



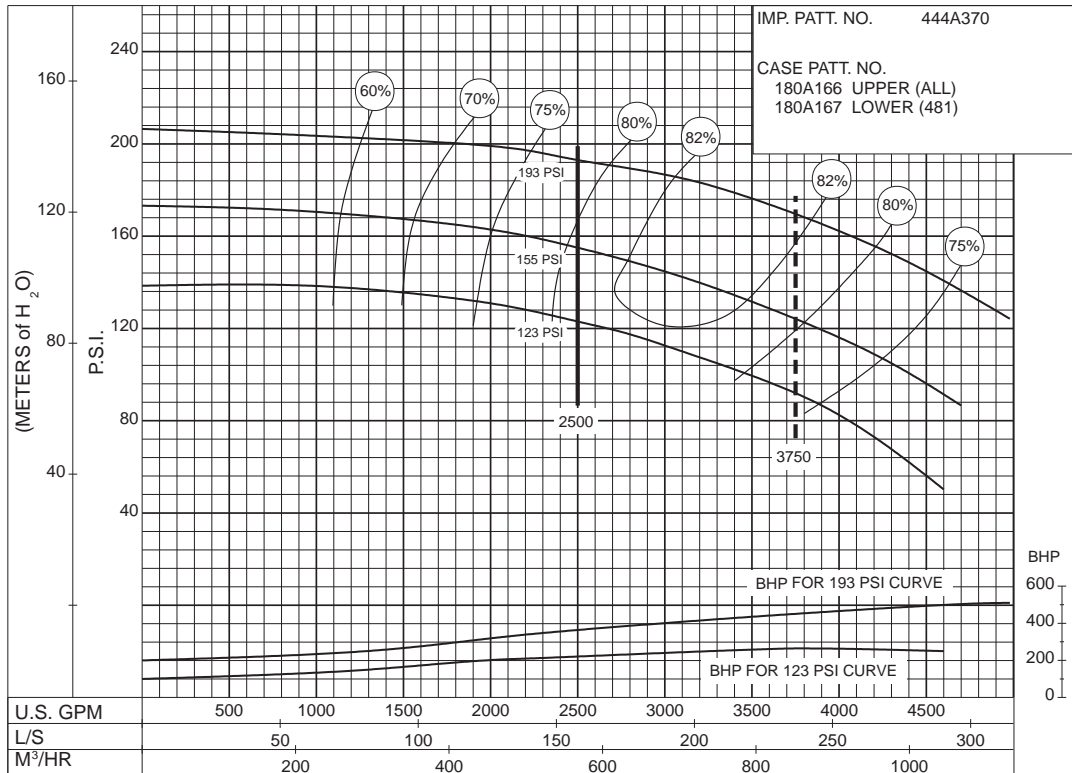
75
to
130
P.S.I.

SIZE : 8-481-21A

MODEL: 480

IMPELLER : Enclosed

R. P. M. : 1770



123
to
193
P.S.I.

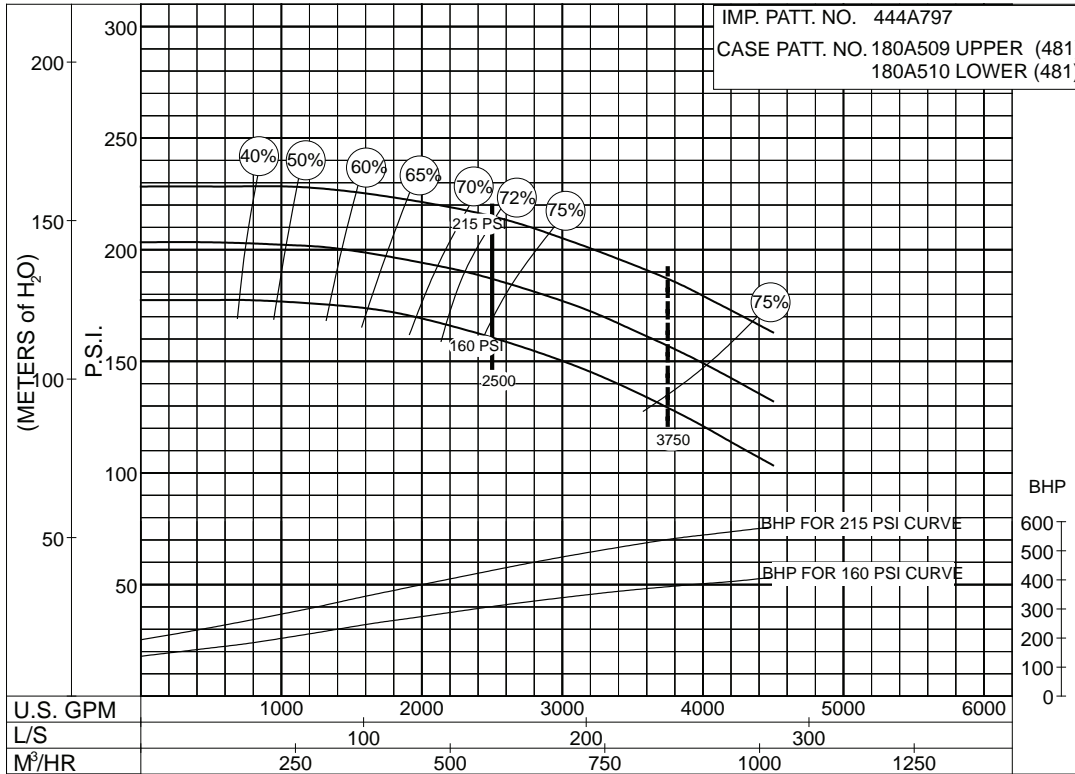
2500 G.P.M. 912 SERIES
 ELECTRIC MOTOR DRIVE

Supersedes Section 912 Page 435.1
 Dated June 1999

SIZE: 8-481-24 MODEL: 480 TYPE : ELECTRIC IMPELLER : Enclosed R. P. M. : 1770

IMP. PATT. NO. 444A797
 CASE PATT. NO. 180A509 UPPER (481)
 180A510 LOWER (481)

158
 to
 215
 P.S.I.

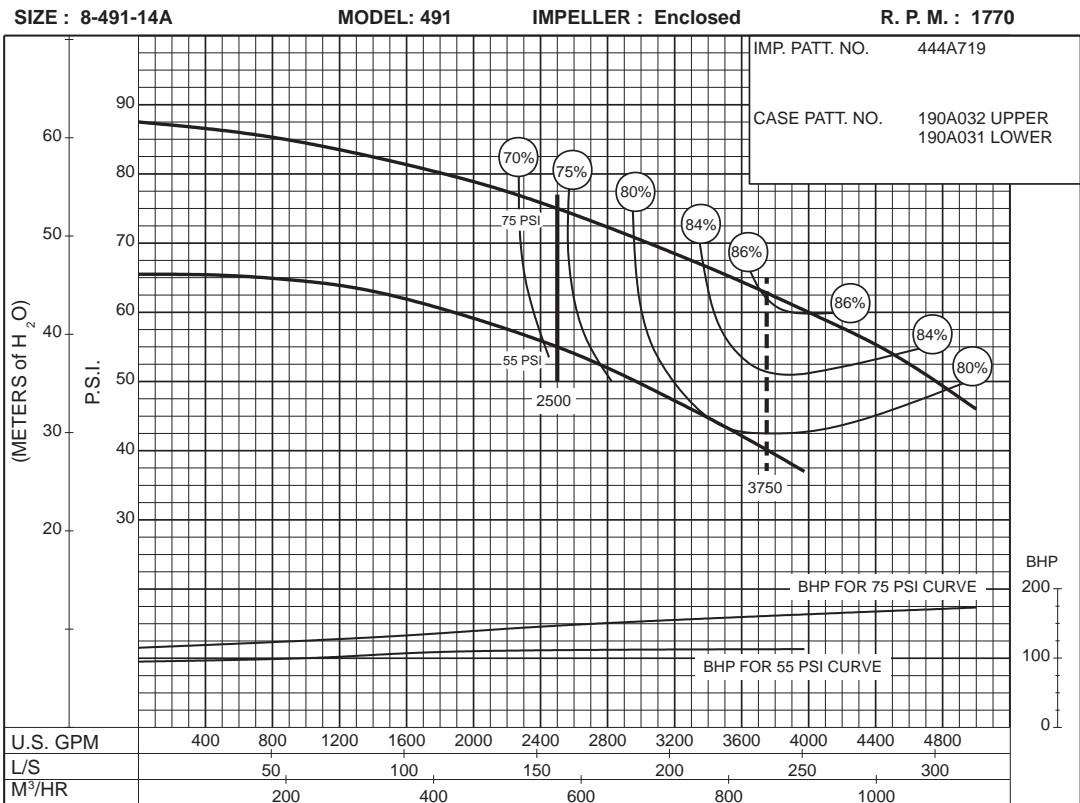
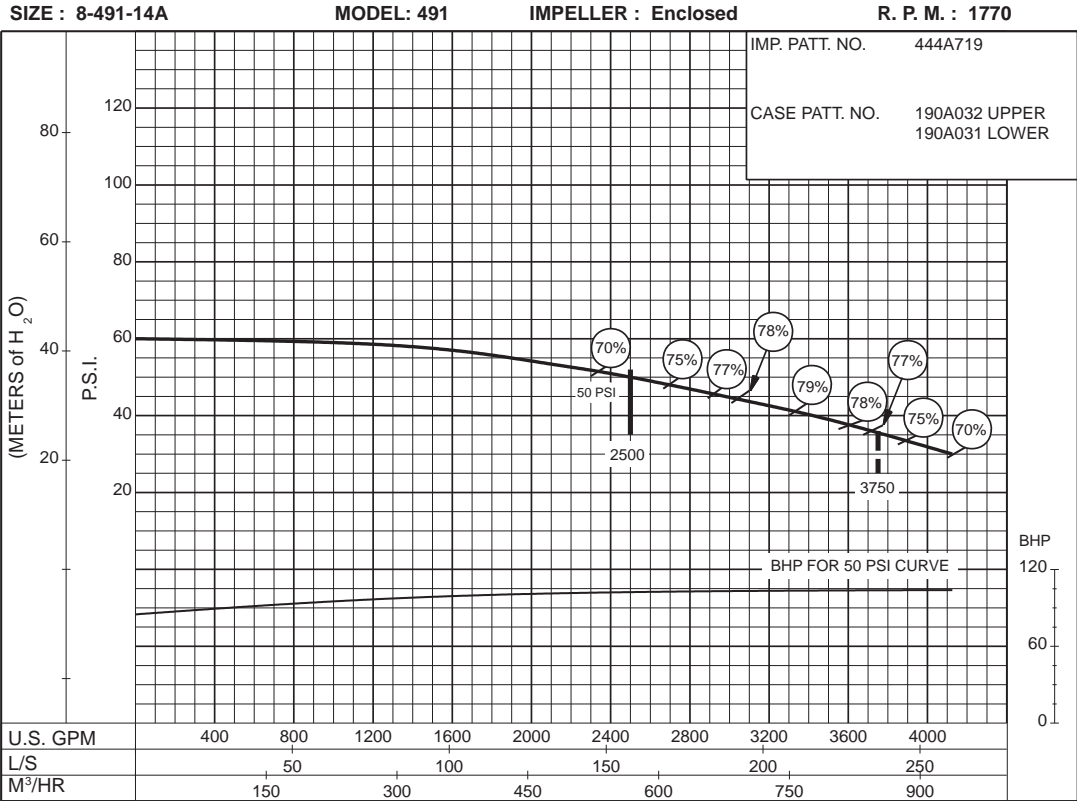


PC- 196155

THIS PAGE LEFT INTENTIONALLY BLANK

2500 G.P.M. 912 SERIES

ELECTRIC MOTOR DRIVE



2500 G.P.M. 912 SERIES
ELECTRIC MOTOR DRIVE

Section 912 Page 437

Date April 2000

Supersedes Section 912 Page 437

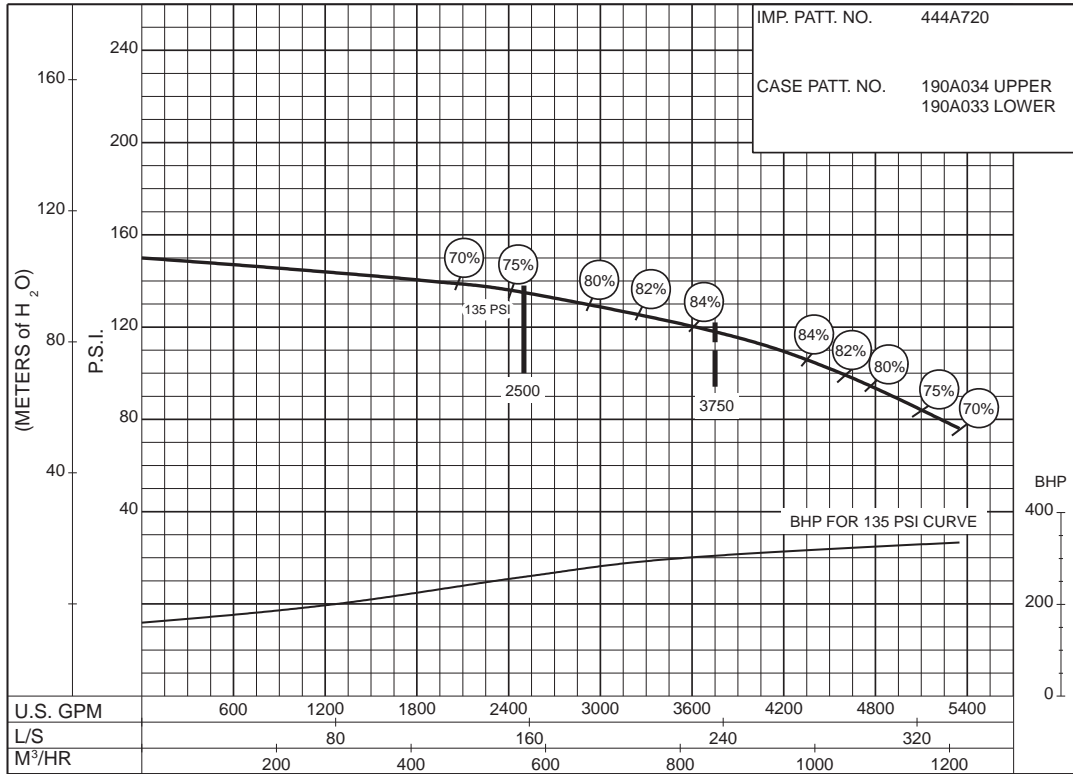
Dated June 1999

SIZE : 8-491-18A

MODEL: 491

IMPELLER : Enclosed

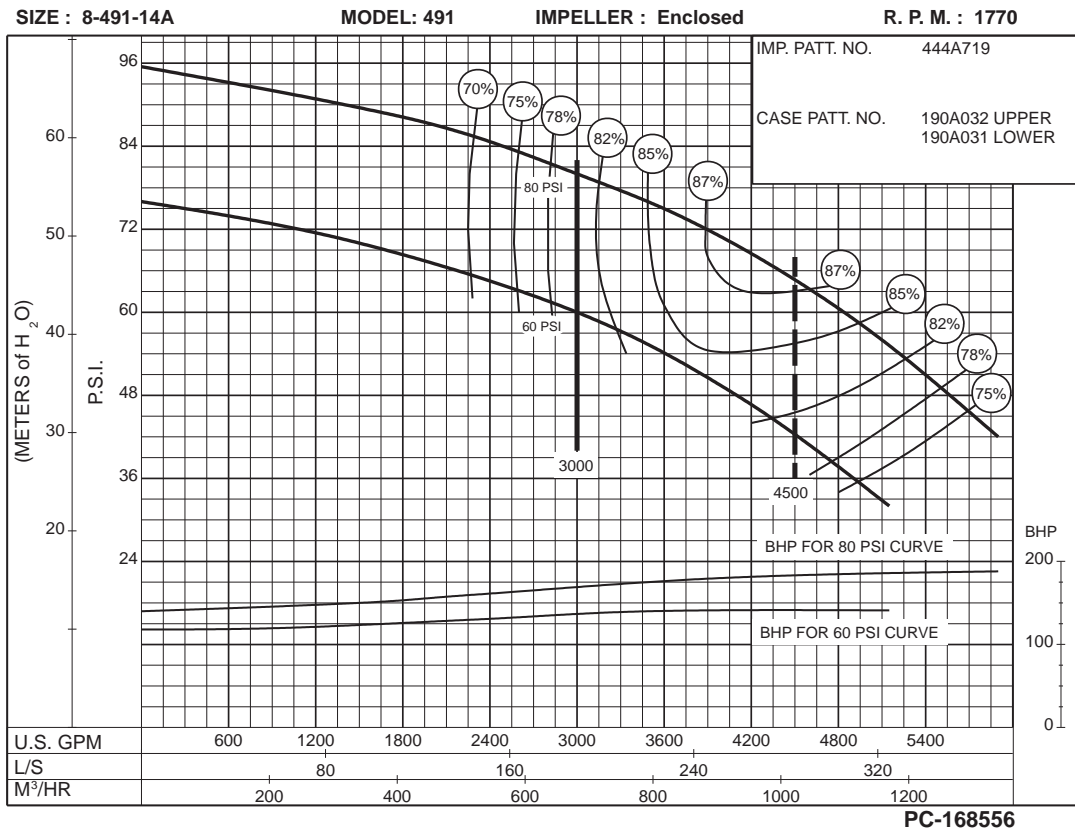
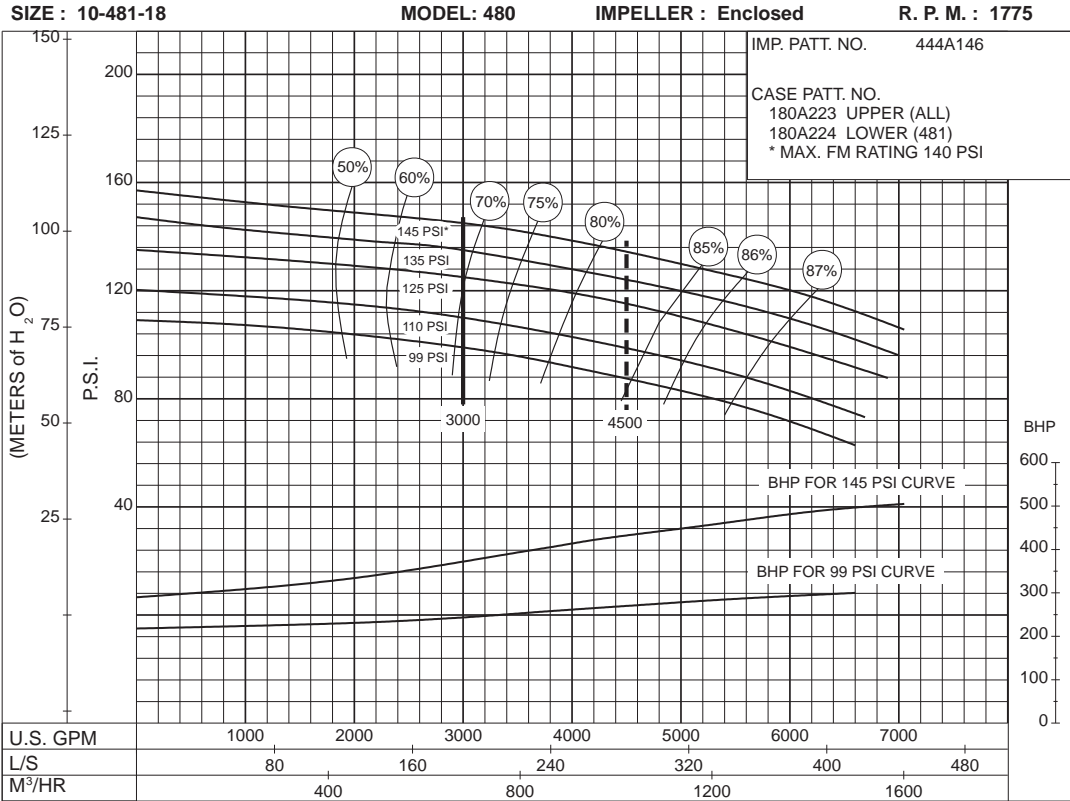
R. P. M. : 1770



PC-168459

3000 G.P.M. 912 SERIES

ELECTRIC MOTOR DRIVE



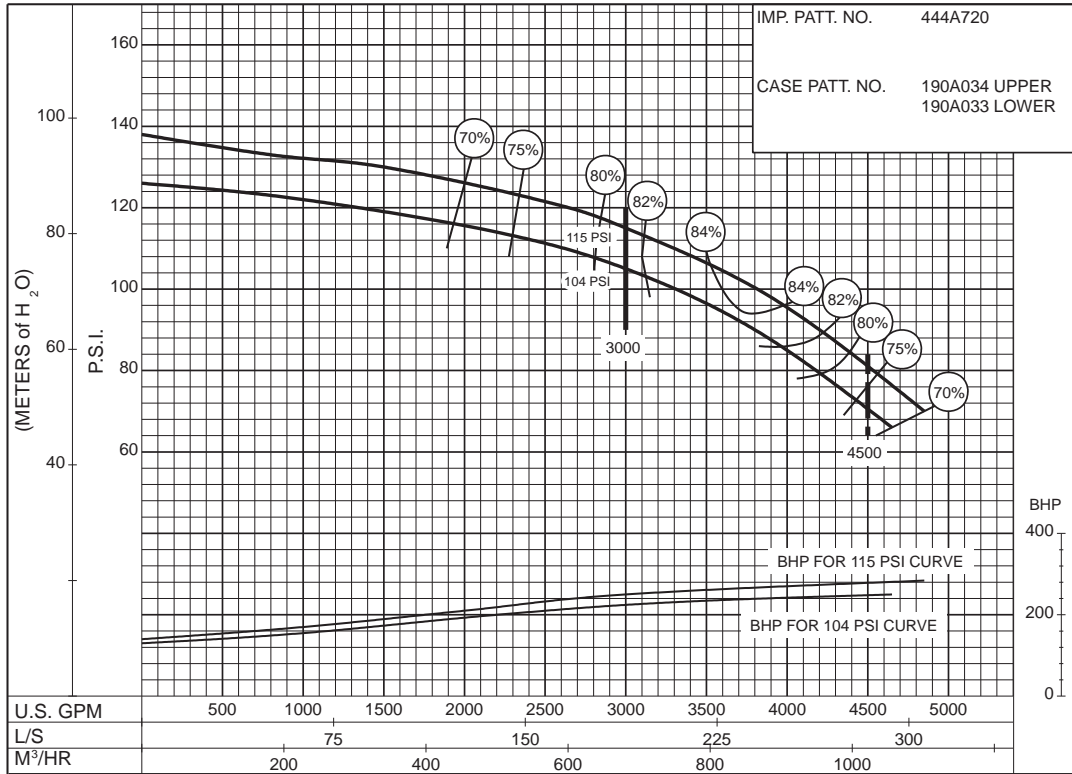
3000 G.P.M. 912 SERIES ELECTRIC MOTOR DRIVE

SIZE : 8-491-18A

MODEL: 491

IMPELLER : Enclosed

R. P. M. : 1770



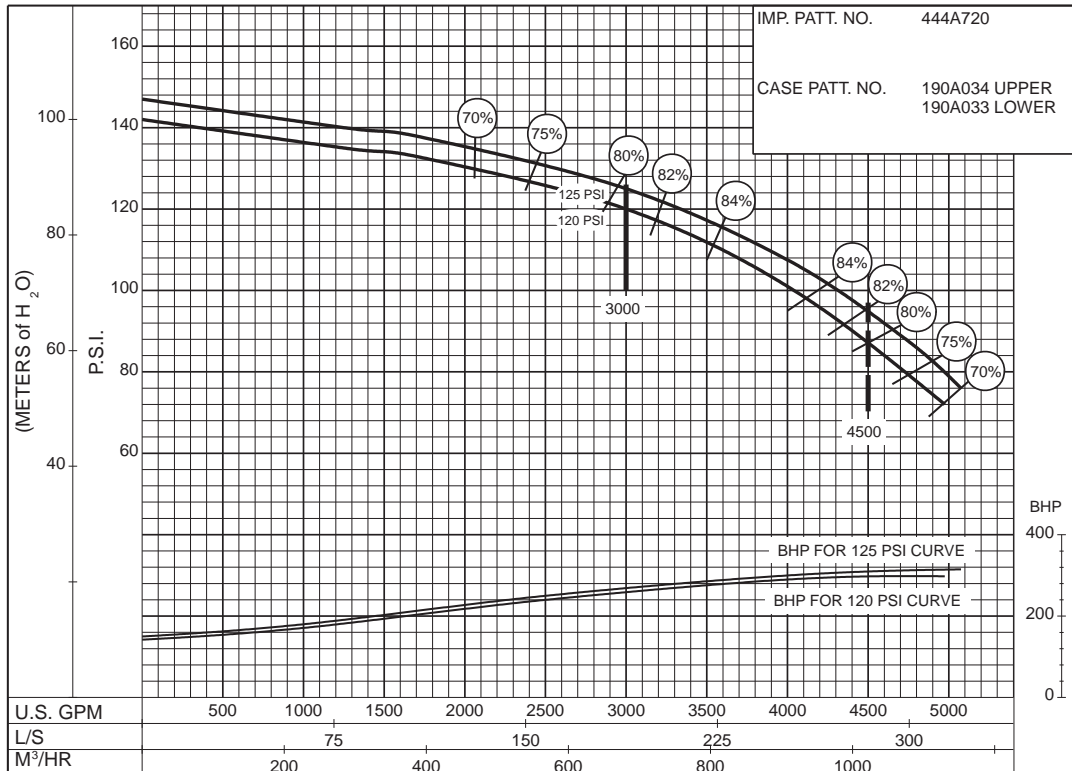
PC-168460

SIZE : 8-491-18A

MODEL: 491

IMPELLER : Enclosed

R. P. M. : 1770



PC-168461



AURORA®

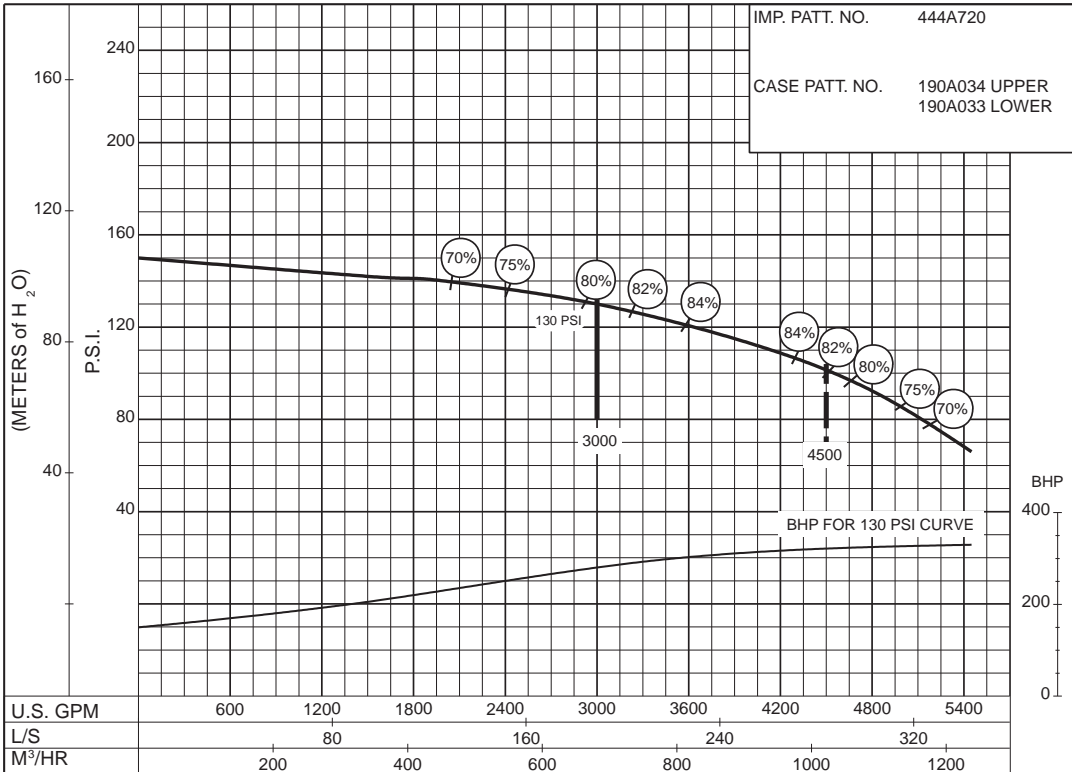
SIZE : 8-491-18A

MODEL: 491

IMPELLER : Enclosed

R. P. M. : 1770

IMP. PATT. NO. 444A720
 CASE PATT. NO. 190A034 UPPER
 190A033 LOWER



PC-168462

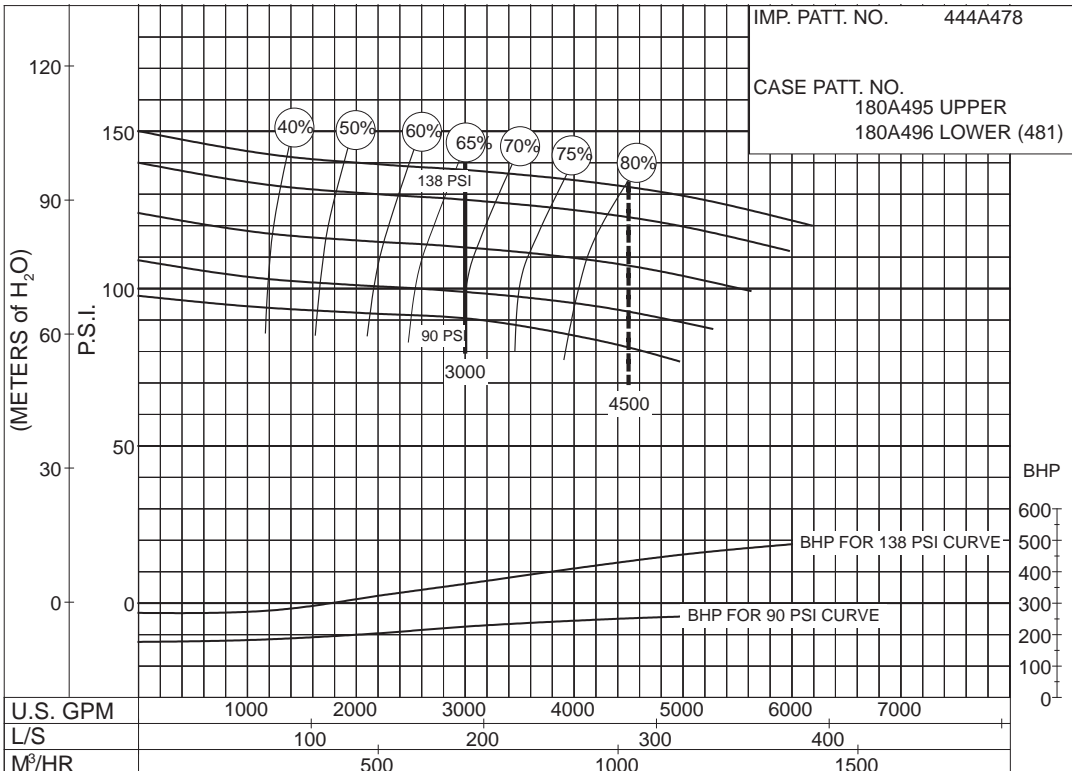
130
P.S.I.

SIZE : 10-481-18D

MODEL: 480 IMPELLER : Enclosed

R. P. M. : 1770

IMP. PATT. NO. 444A478
 CASE PATT. NO. 180A495 UPPER
 180A496 LOWER (481)



PC - 186075

90
to
138
P.S.I.

3000 G.P.M. 912 SERIES ELECTRIC MOTOR DRIVE

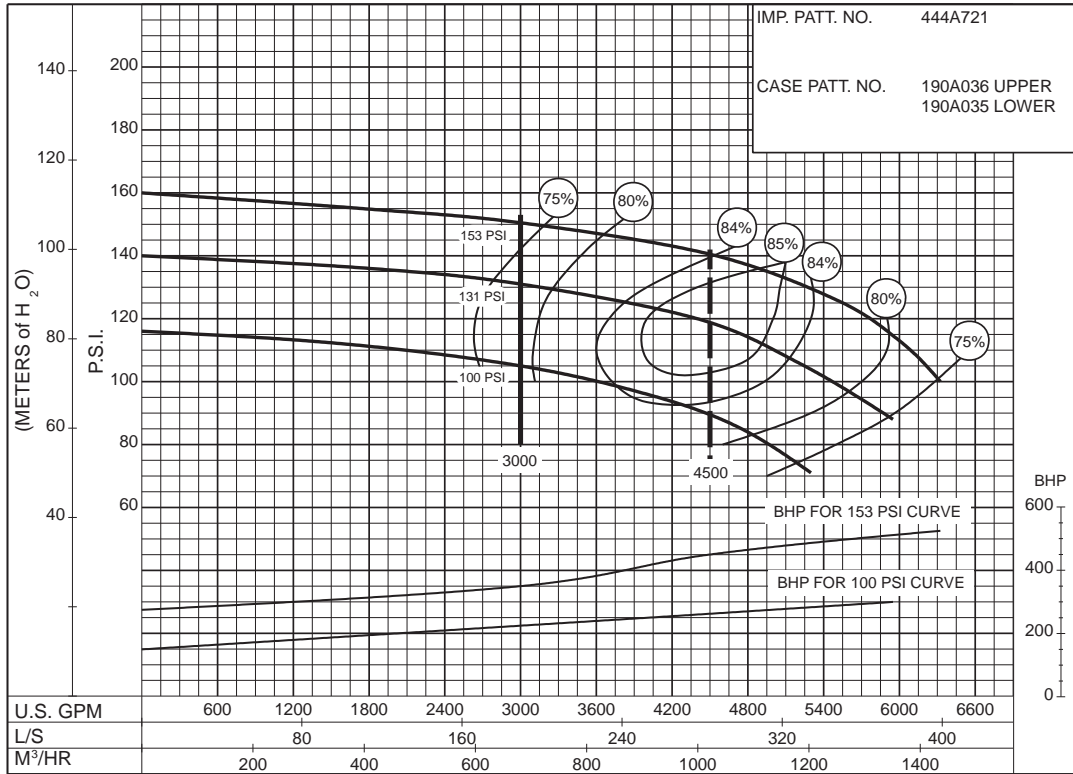
Section 912 Page 440.1
Date February 2005

SIZE : 10-492-18

MODEL: 492

IMPELLER : Enclosed

R. P. M. : 1770



100 to 153 P.S.I.

PC-168463



AURORA®

THIS PAGE LEFT INTENTIONALLY BLANK

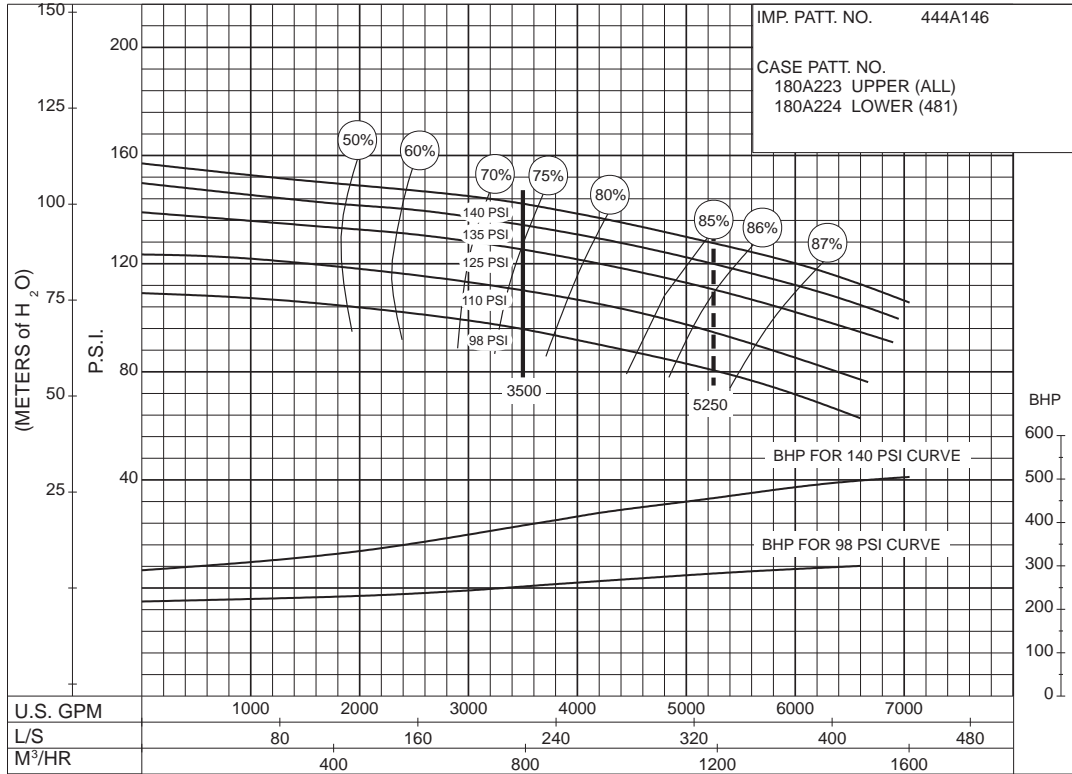
3500 G.P.M. 912 SERIES ELECTRIC MOTOR DRIVE

SIZE : 10-481-18

MODEL: 480

IMPELLER : Enclosed

R. P. M. : 1775



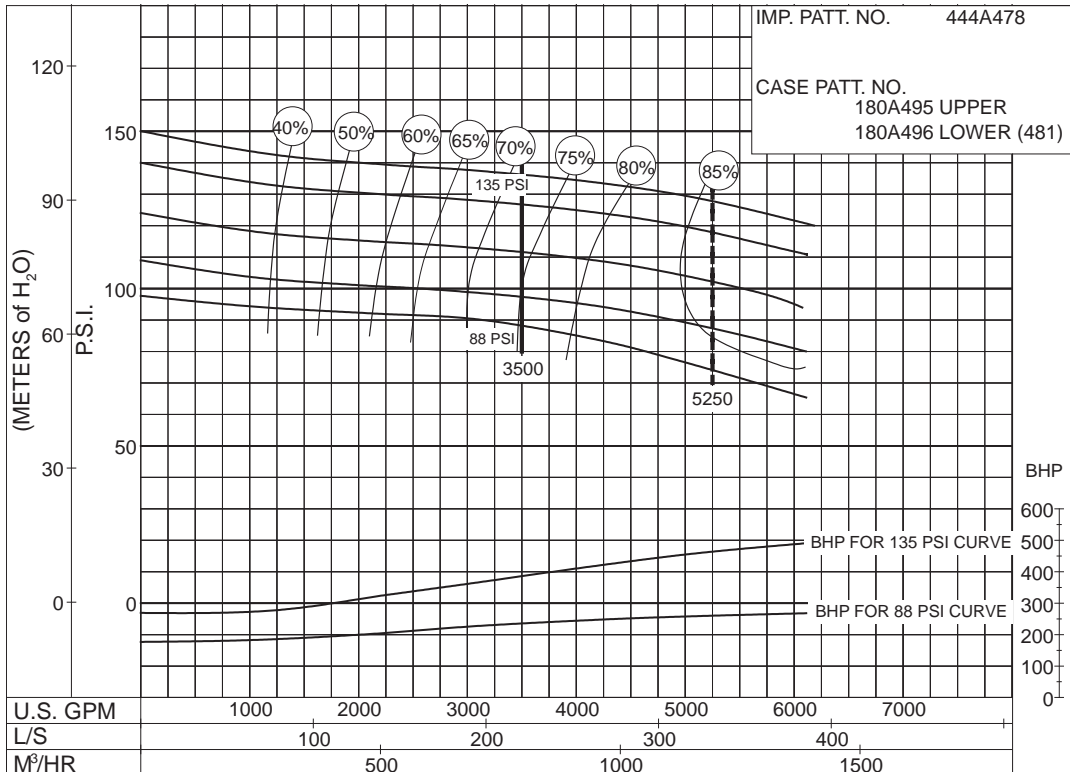
PC-126289B

98 to 140 P.S.I.

SIZE : 10-481-18D

MODEL: 480 IMPELLER : Enclosed

R. P. M. : 1770



PC - 186076

88 to 135 P.S.I.

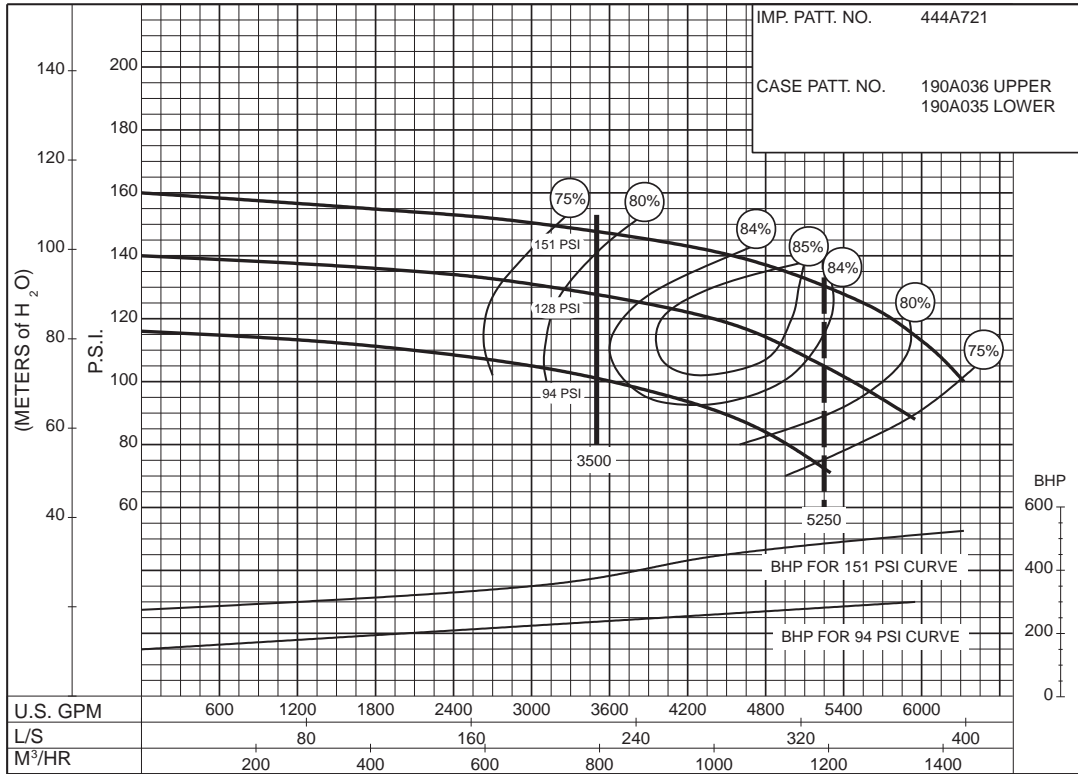
3500 G.P.M. 912 SERIES
 ELECTRIC MOTOR DRIVE

Supersedes Section 912 Page 442
 Dated April 2000

SIZE : 10-492-18 MODEL: 492 IMPELLER : Enclosed R. P. M. : 1770

IMP. PATT. NO. 444A721
 CASE PATT. NO. 190A036 UPPER
 190A035 LOWER

94
 to
 151
 P.S.I.



PC-168464

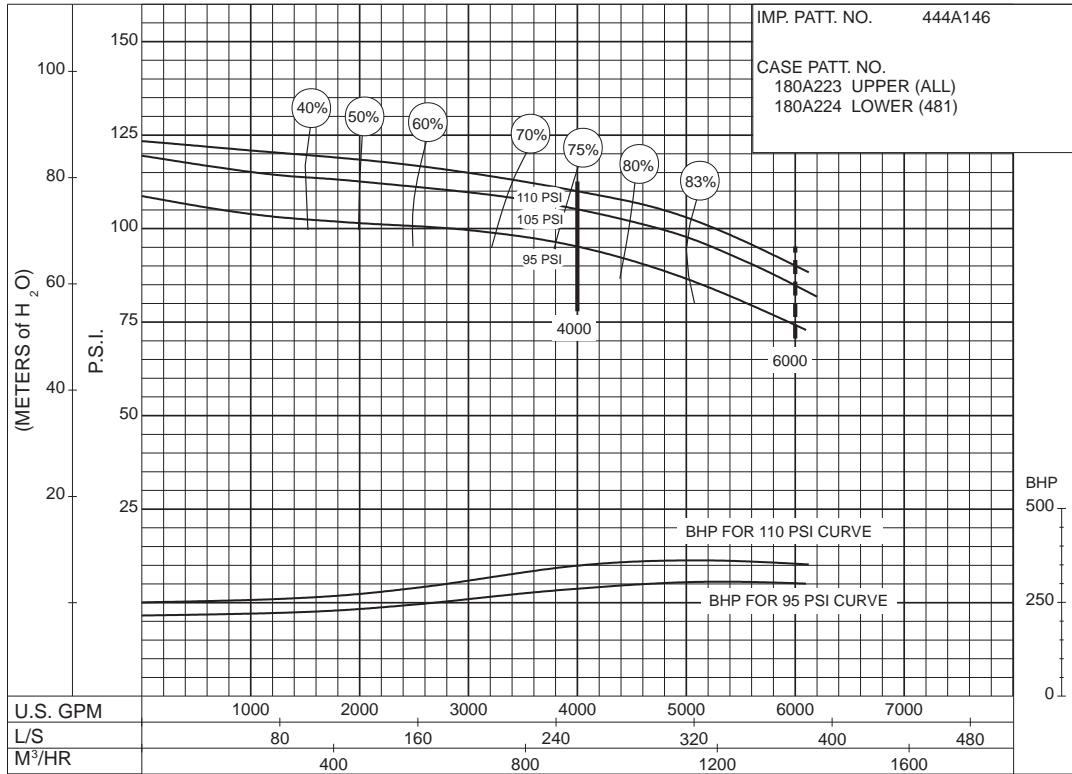
4000 G.P.M. 912 SERIES ELECTRIC MOTOR DRIVE

SIZE : 10-481-18

MODEL: 480

IMPELLER : Enclosed

R. P. M. : 1775



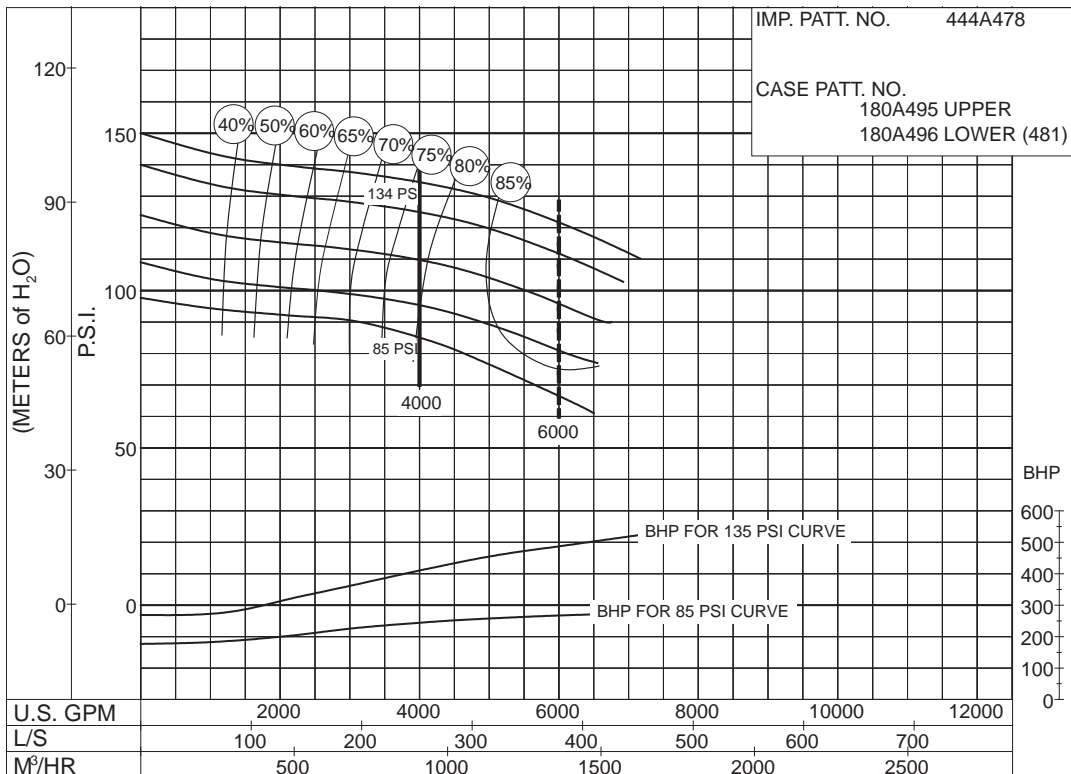
PC-126290

95 to 110 P.S.I.

SIZE : 10-481-18D

MODEL: 480 IMPELLER : Enclosed

R. P. M. : 1770



PC - 186077

85 to 134 P.S.I.



AURORA®

4000 G.P.M. 912 SERIES

ELECTRIC MOTOR DRIVE

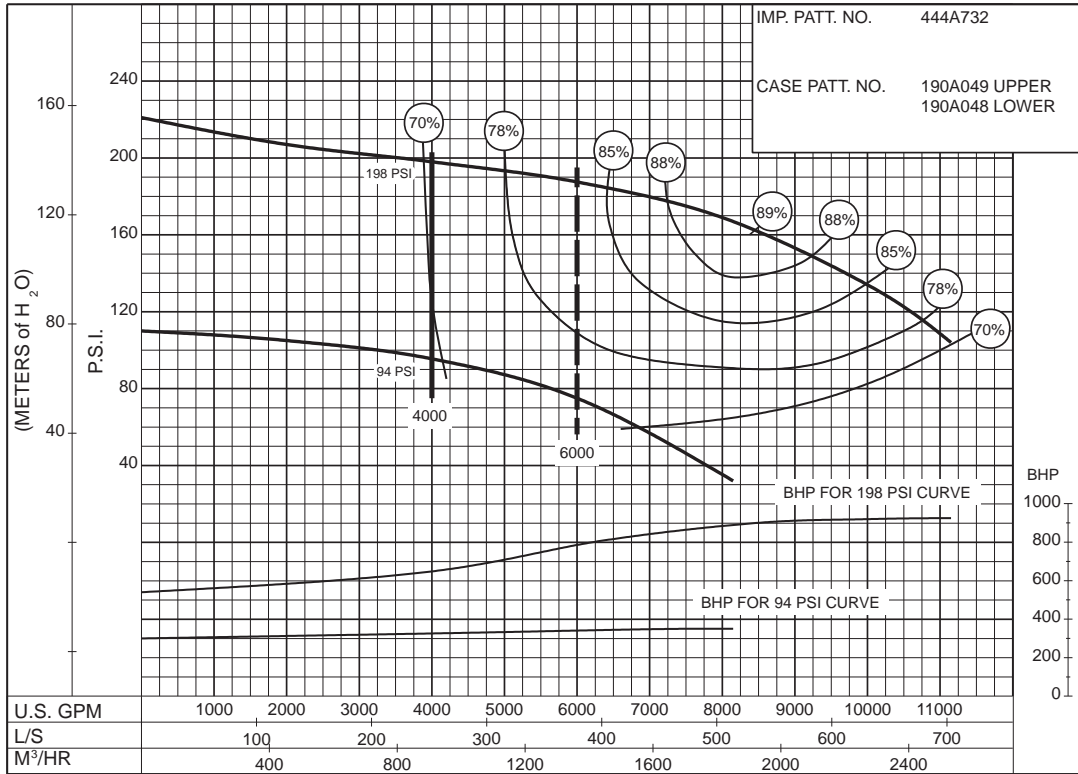
SIZE : 10-491-20

MODEL: 491

IMPELLER : Enclosed

R. P. M. : 1785

IMP. PATT. NO.	444A732
CASE PATT. NO.	190A049 UPPER 190A048 LOWER



PC-168636

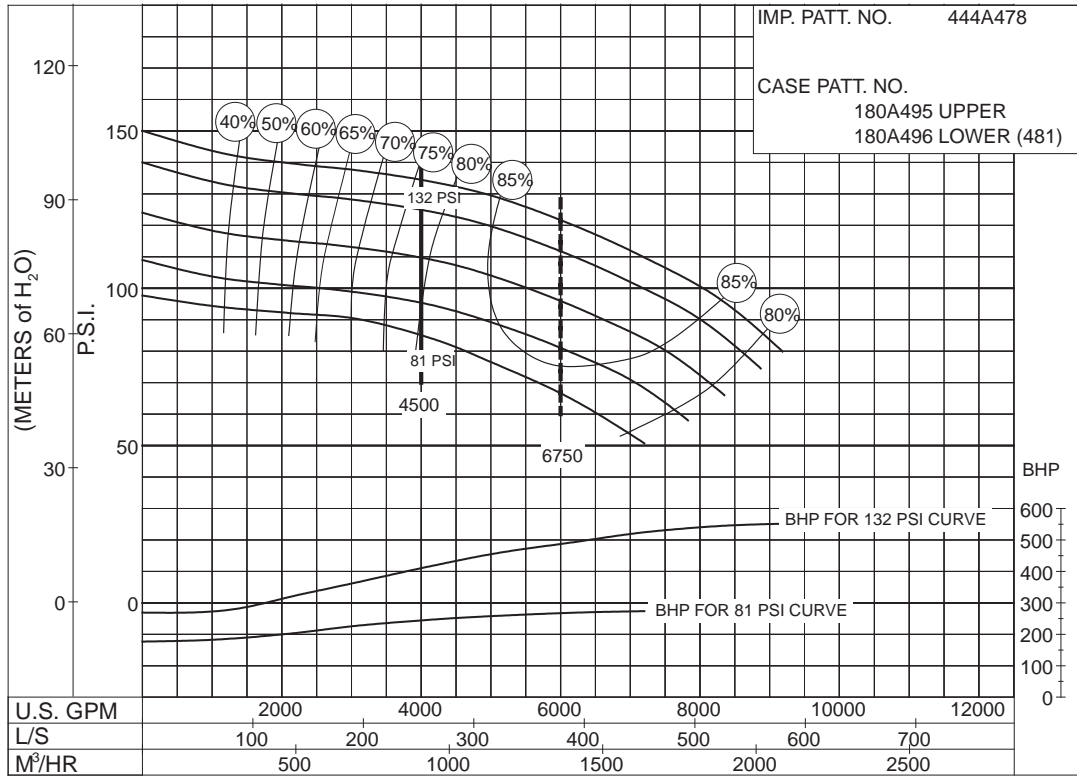
94
to
198
P.S.I.

4500 G.P.M. 912 SERIES
ELECTRIC MOTOR DRIVE

SIZE : 10-481-18D

MODEL: 480 IMPELLER : Enclosed

R. P. M. : 1770



PC - 186078

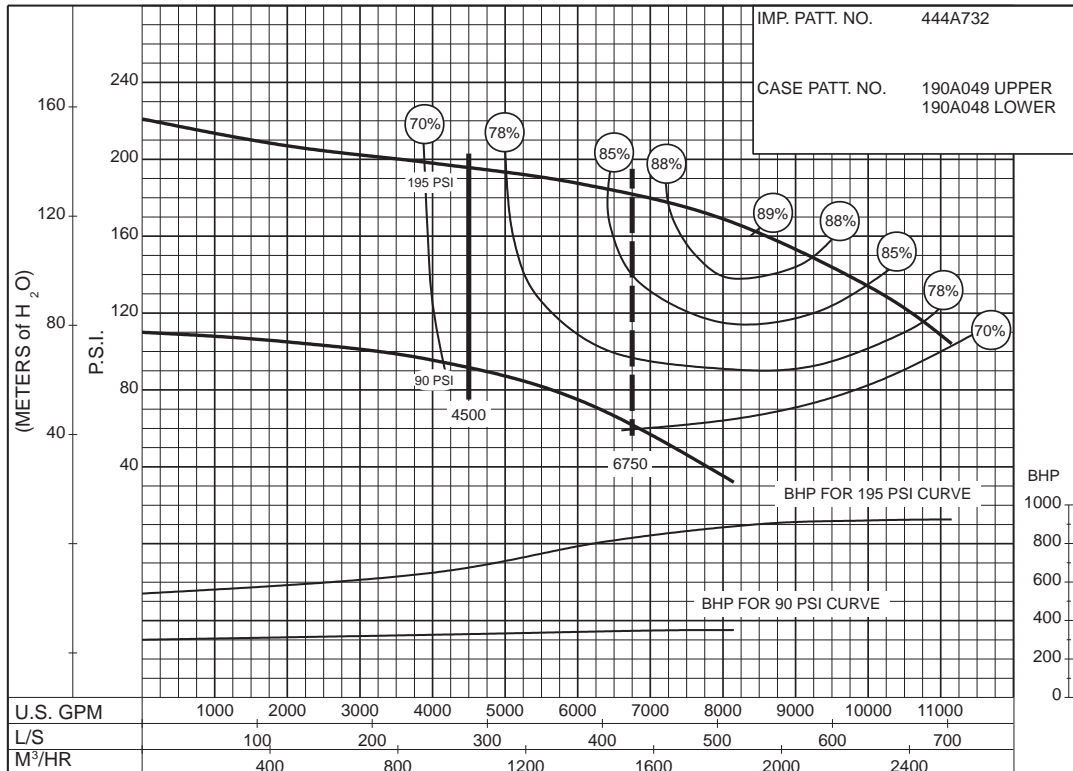
81 to 132 P.S.I.

SIZE : 10-491-20

MODEL: 491

IMPELLER : Enclosed

R. P. M. : 1785



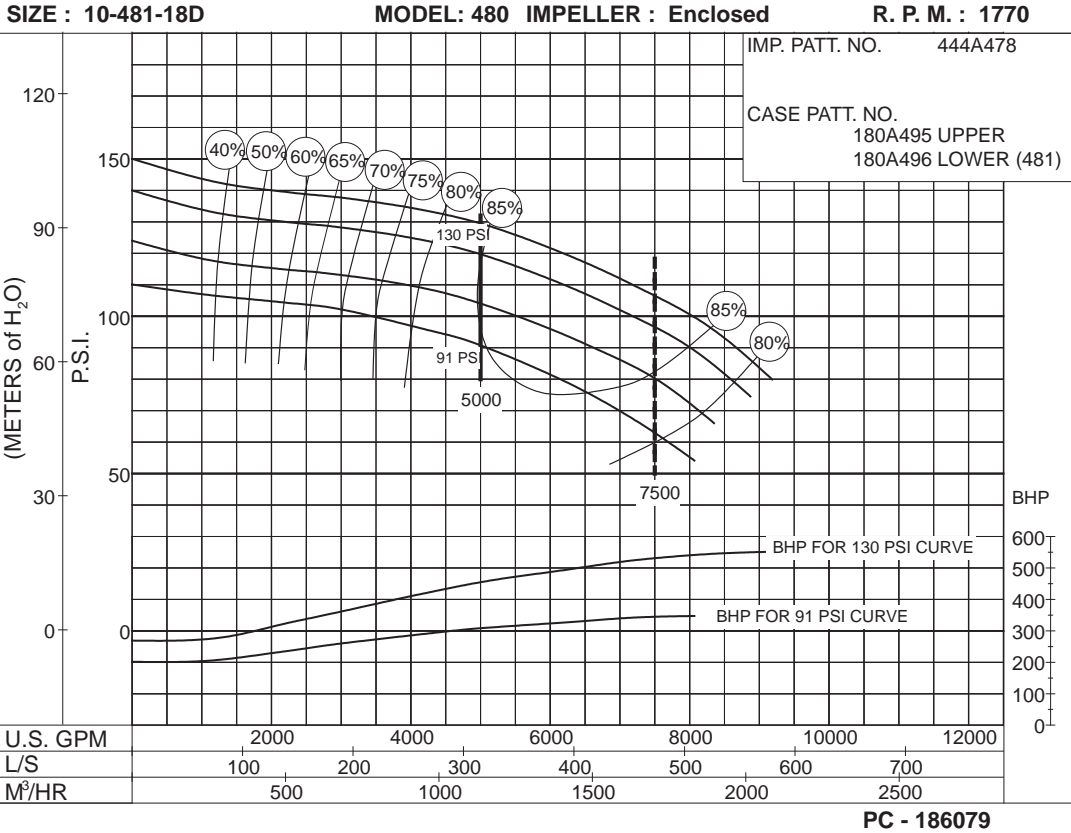
PC-168637

90 to 195 P.S.I.

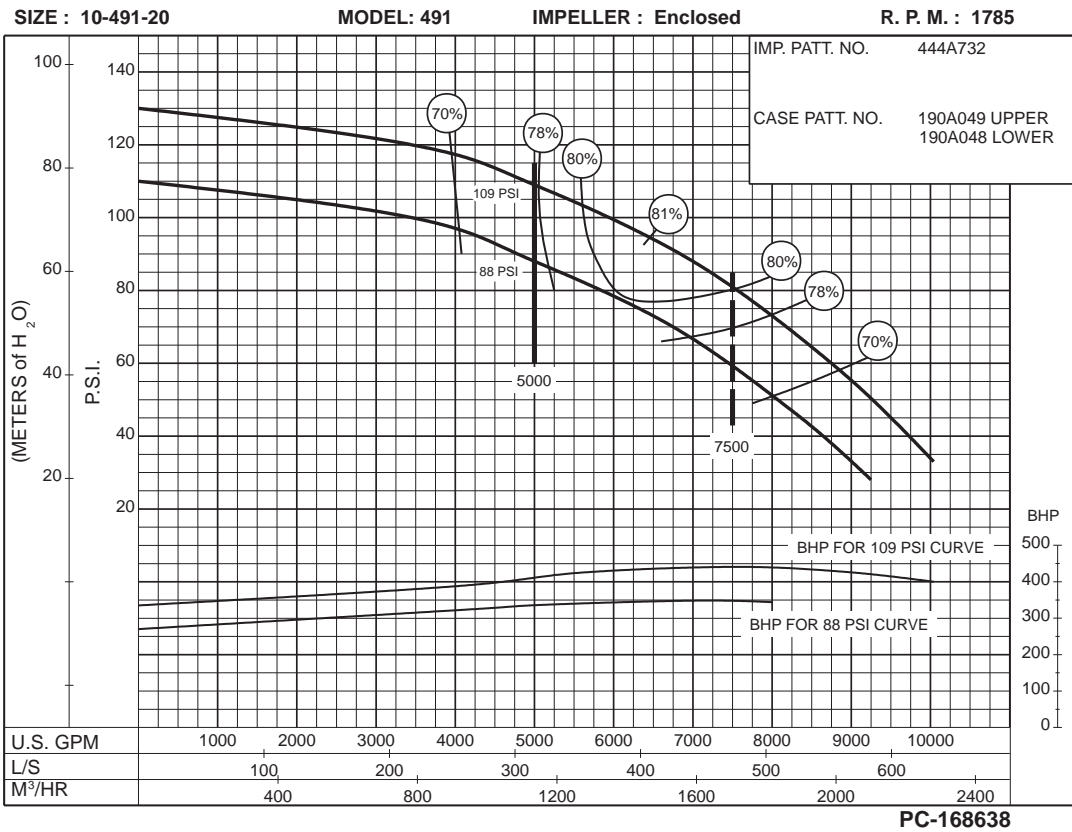


AURORA®

5000 G.P.M. 912 SERIES
ELECTRIC MOTOR DRIVE



91
to
130
P.S.I.



88
to
109
P.S.I.

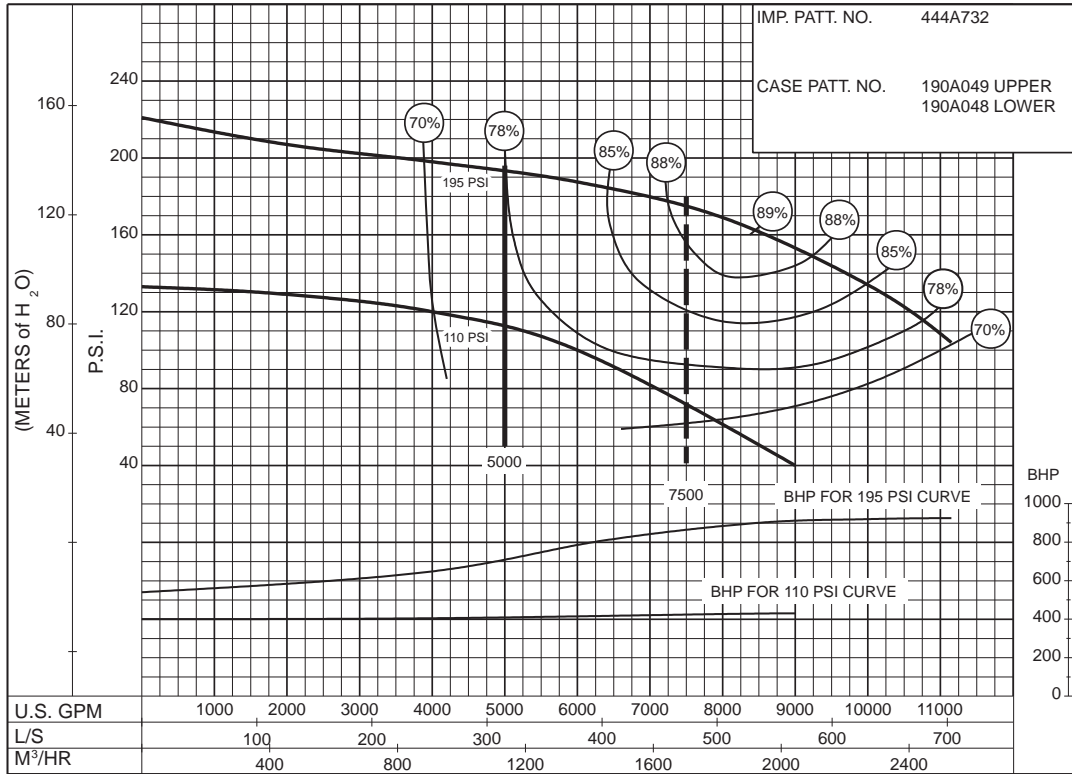
5000 G.P.M. 912 SERIES
ELECTRIC MOTOR DRIVE

SIZE : 10-491-20

MODEL: 491

IMPELLER : Enclosed

R. P. M. : 1785



110 to 195 P.S.I.

PC-168639

THIS PAGE LEFT INTENTIONALLY BLANK